

---

## Mini1cv Contents

---

- [+ Overview](#)
- [+ Schematics](#)
- [+ PC Board](#)
- [+ Parts List](#)



---

## Preliminary

---

## About the Mini1cv

---

### About this document

This document is freely distributable. I retain all publishing rights.

---

### Warning

This is not a beginners project. It requires electronic construction skills. I am not responsible and have no control over the outcome of your efforts. I have tried to put this together in a way that could be duplicated. But you are on your own. I do not guarantee nor am I responsible for anything in any way.

---

### Description

The Mini1cv brings me full circle and is based on the first synth I ever built. I never posted the Mini1 because it is full of chips made by Curtis Electronics and as far as I knew were no longer available.

Time has passed and things have changed. [Synthesis Technology](#) has all needed chips in stock. The VCO and VCF/VCA chips are \$15 each and the ADSRS are \$16 each. That's \$62 bucks worth of CEM ics add in \$60 for pots panel ect... and we are talking in the \$120 range but it's still not out of line for a mono synth.

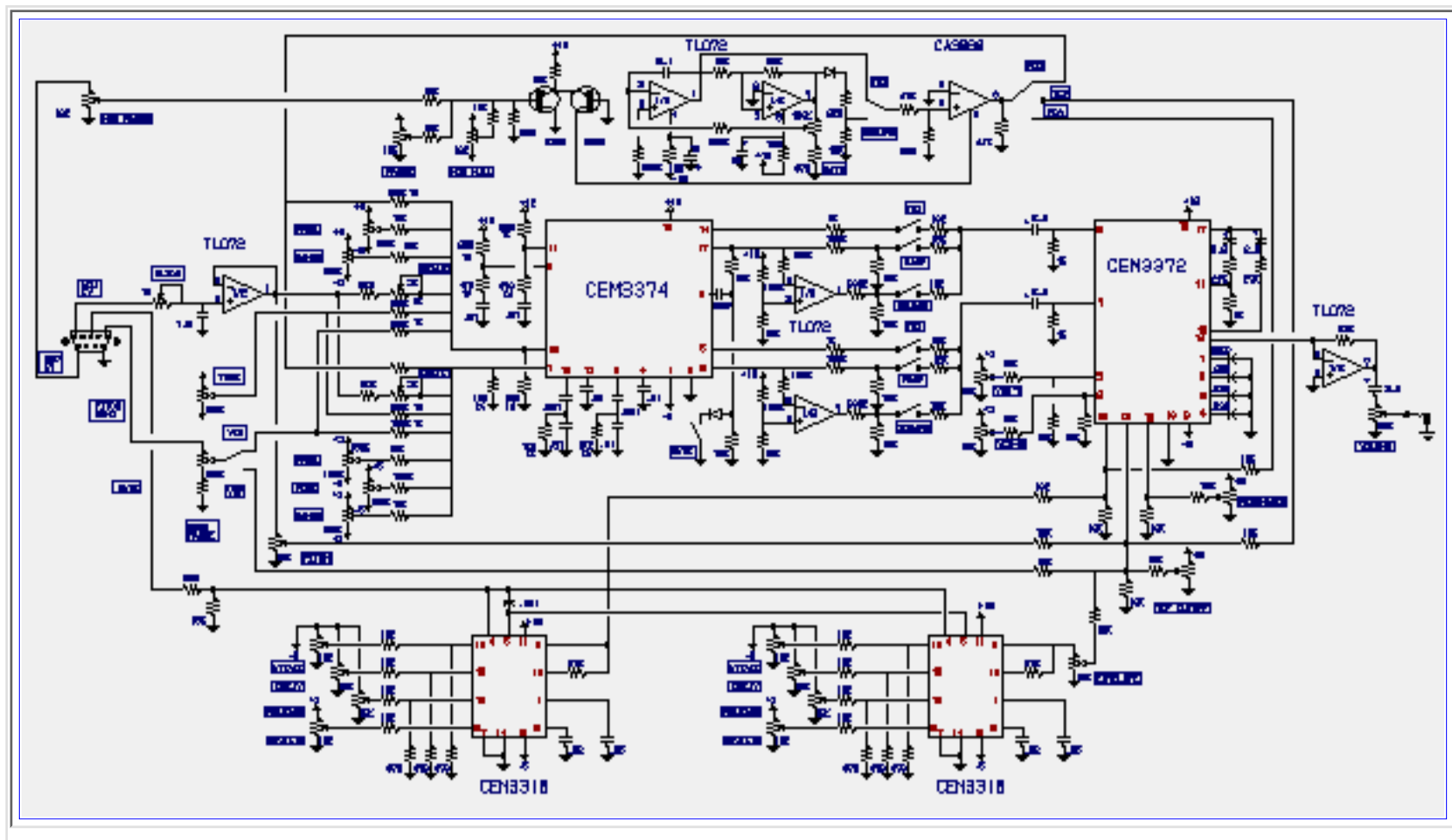
The Mini1cv is a "normalized synthesizer" meaning prepatched you could add jacks for access to the internals but I intend to operate it with a midi to cv converter.

---



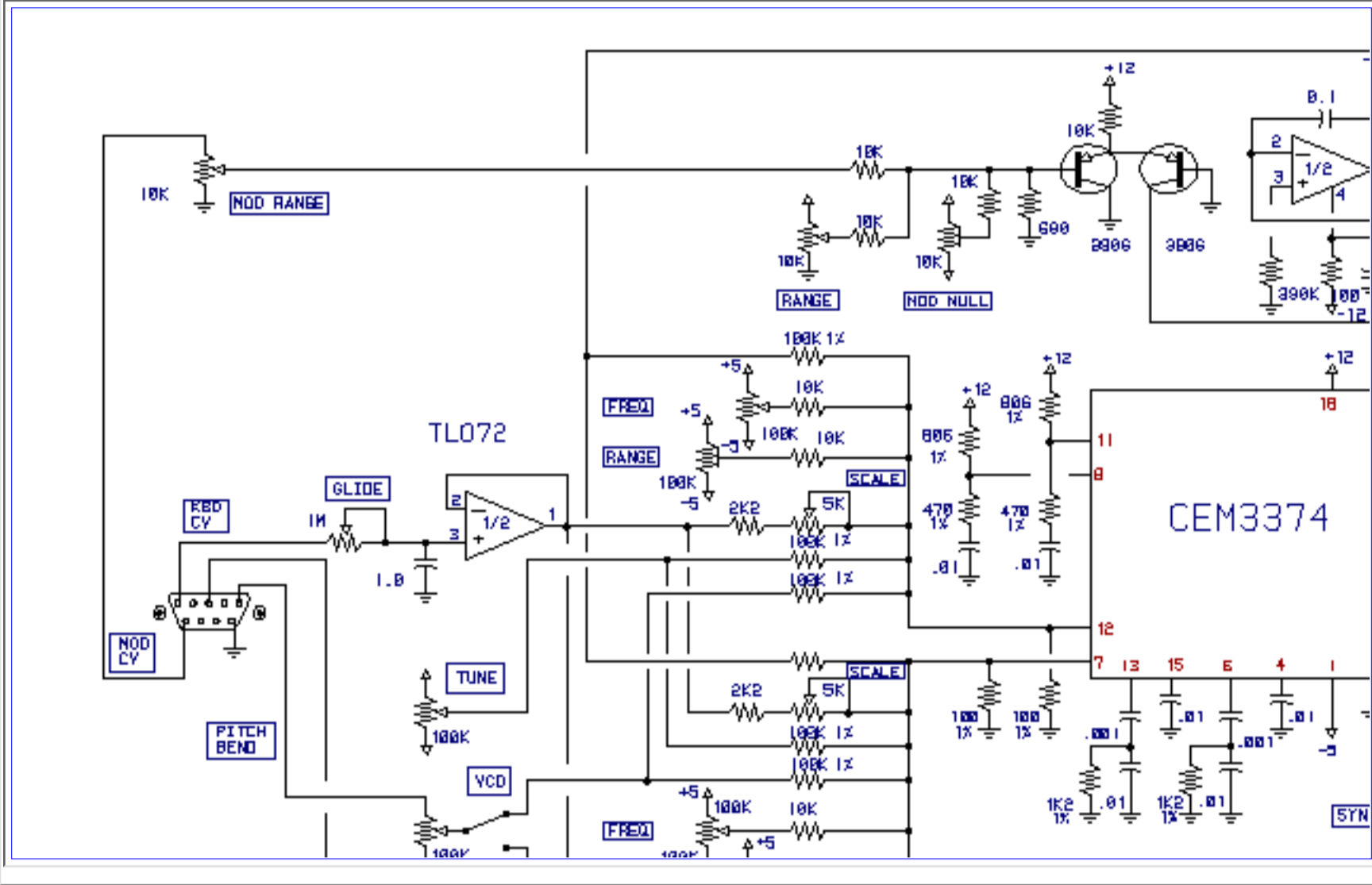
## Mini1cv Schematics

## SD-1



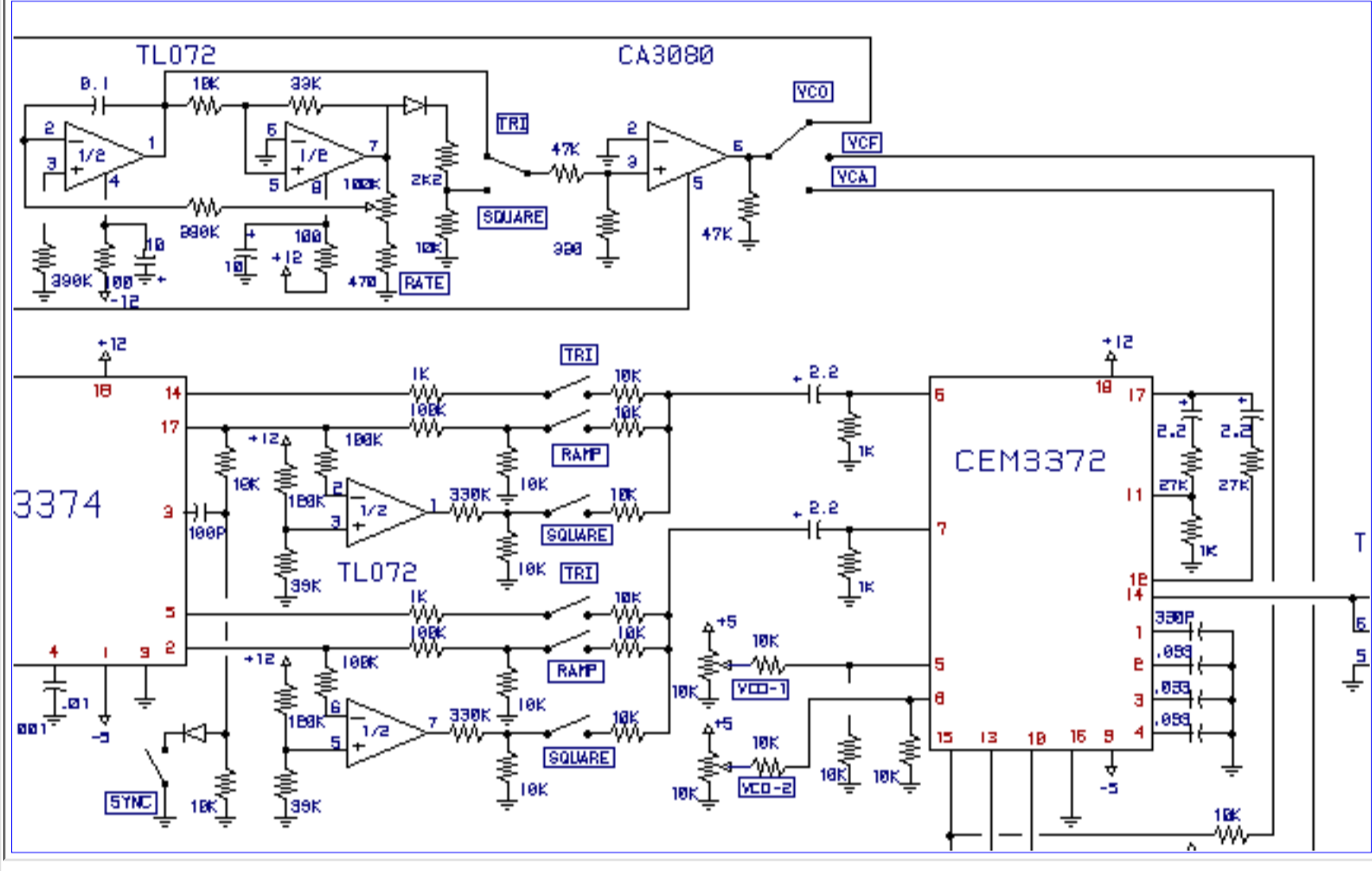
[TOP](#)

## SD-2



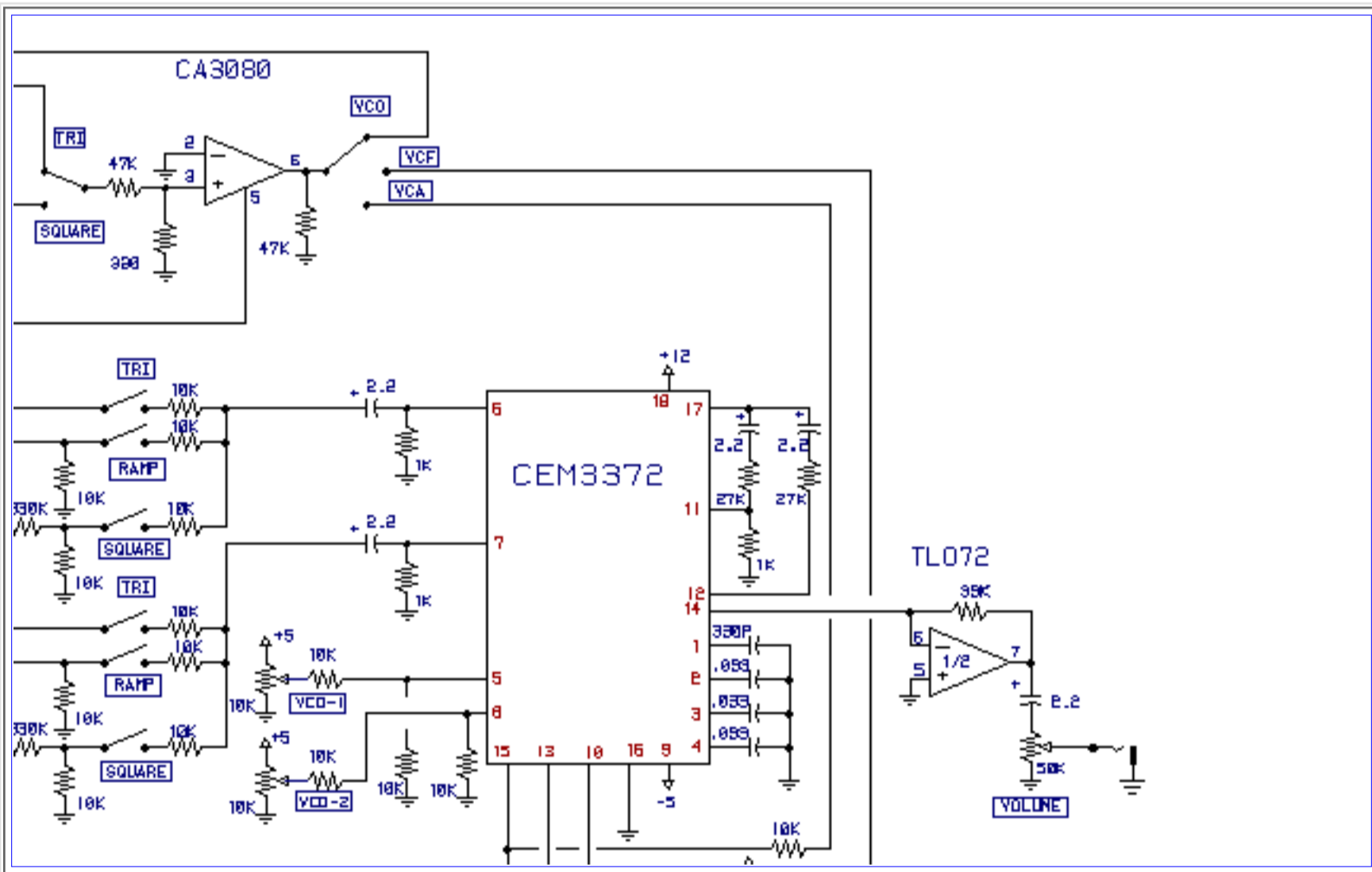
[TOP](#)

## SD-3



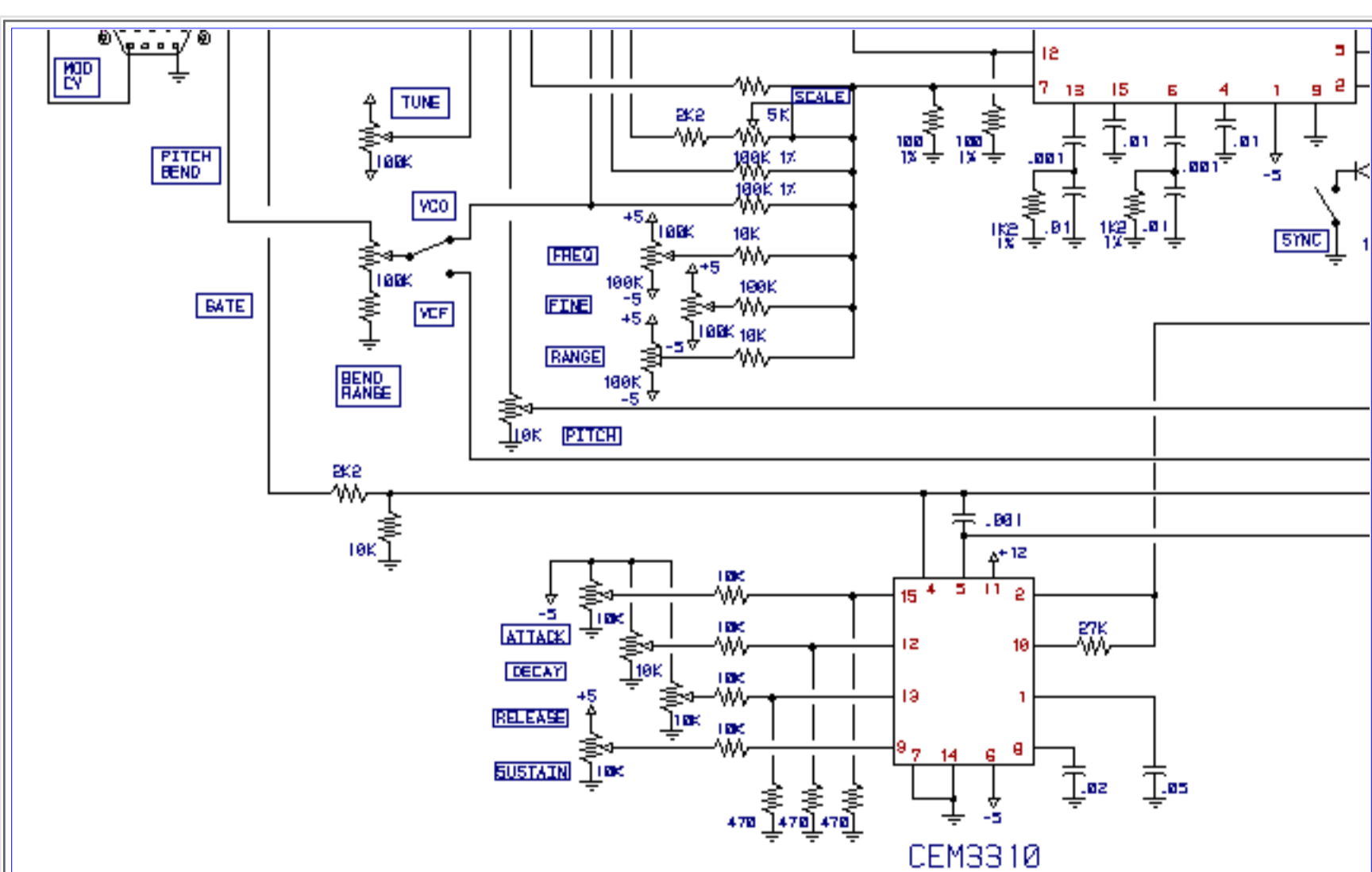
[TOP](#)

## SD-4



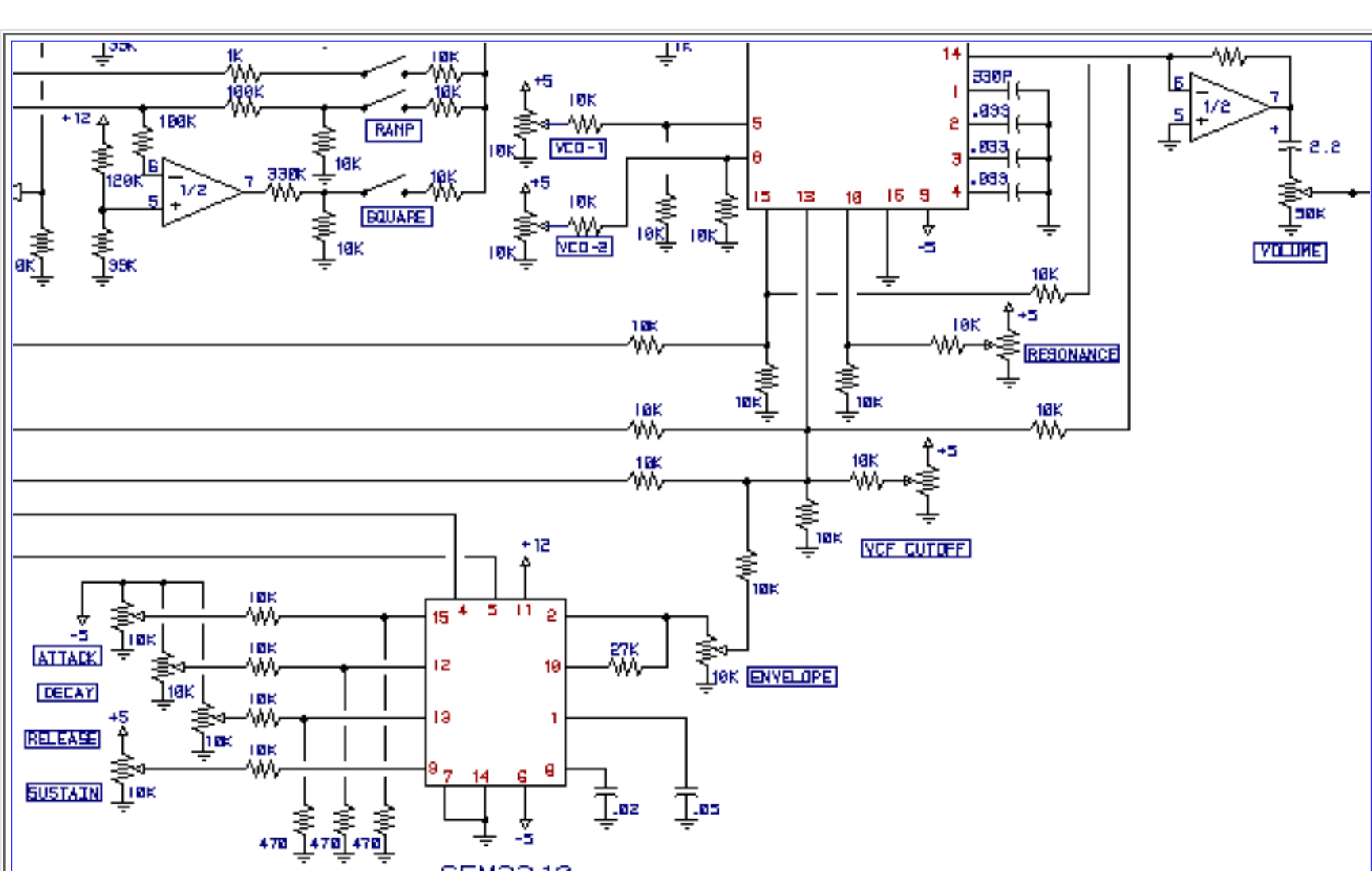
[TOP](#)

## SD-5



[TOP](#)

## SD-6



[TOP](#)

