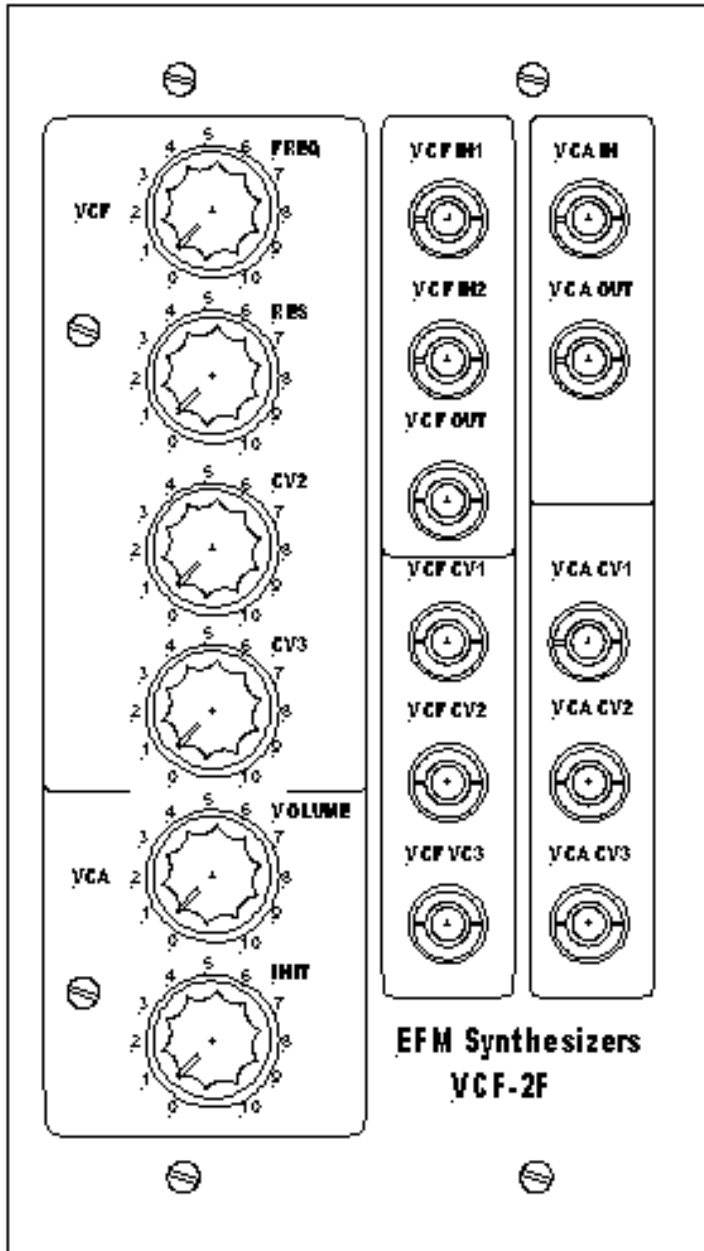




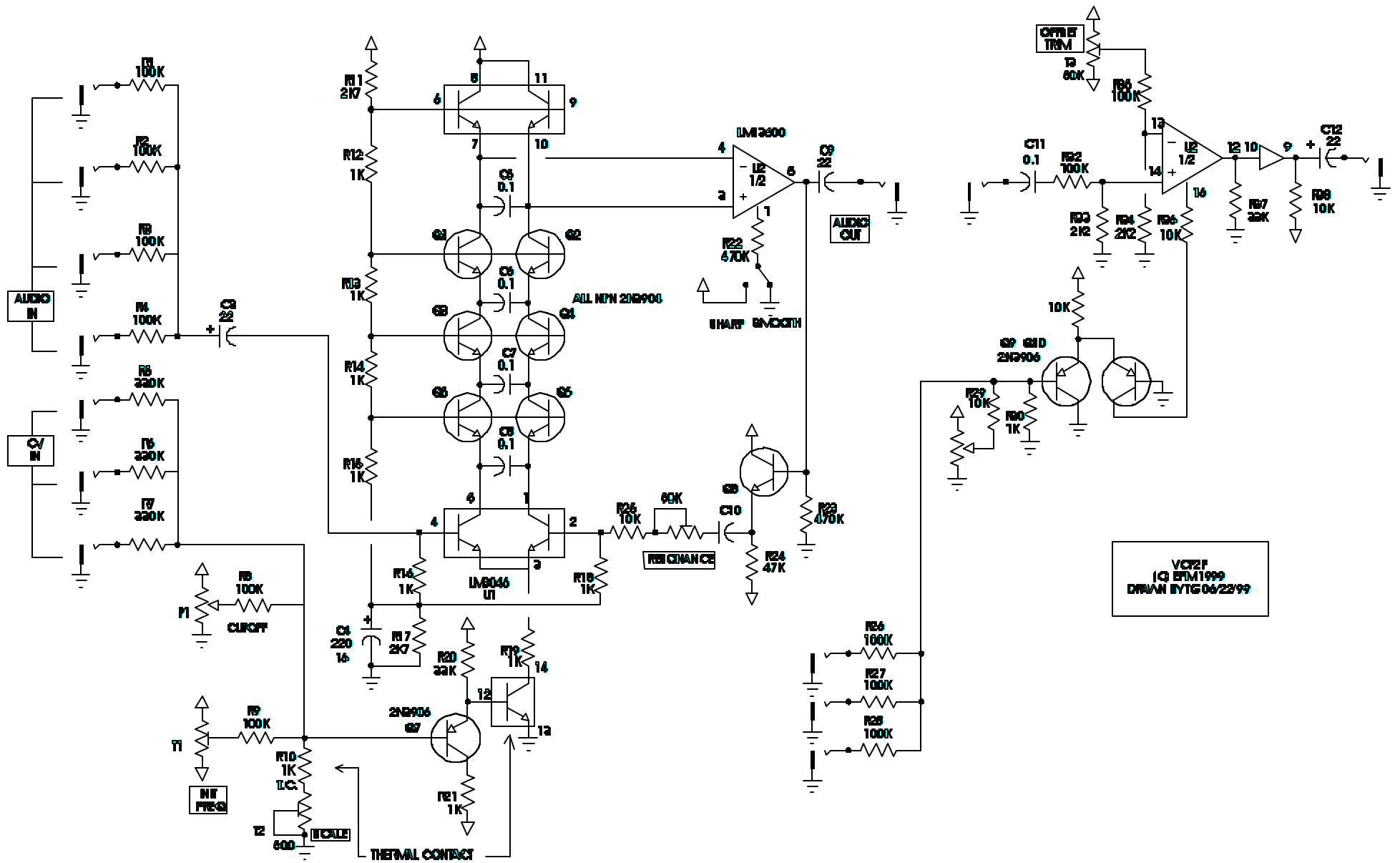
VCF2f

Voltage controlled 4 pole filter based on the Moog transistor ladder. Includes a VCA that can be used for final-output, vc-resonance or general voltage controlled level applications.



Parts List

- C1,2 0.1 Ceramic (2)
- C3,9,10,12 - 22uF/35V Electrolytic (4)
- C4 - 220uF/35V Electrolytic (1)
- C5,6,7,8,11 - 0.1 Polyester (5)
- R1,2,3,4,8,9,26,27,28,32, 35
100K 1% Metal Film (10)
- R5,6,7 - 330K 1% Metal Film (3)
- R10 - 1K Tempco Resistor 3000ppm (1)
- R11,17 - 2.7K 1% Metal Film (2)
- R12,13,14,15,16,18,19,21, 30
1K 1% Metal Film (9)
- R20 - 33K 1% Metal Film (1)
- R22,23 - 470K 1% Metal Film (2)
- R24 - 47K 1% Metal Film (1)
- R25,29,31,36,38 - 10K 1% Metal Film (5)
- R33,34 - 2.2K 1% Metal Film (2)
- P1-6 - 50K Linear (6)
- T1,3 - 50K 10T (2)
- T2 - 500 Ohm 10T (1)
- Q1,2,3,4,5,6,8 - 2N3904 (7)
- Q7,9,10 - 2N3906 (3)
- U1 - LM3046 (1)
- U2 - LM13600 (1)



Parts Placement

