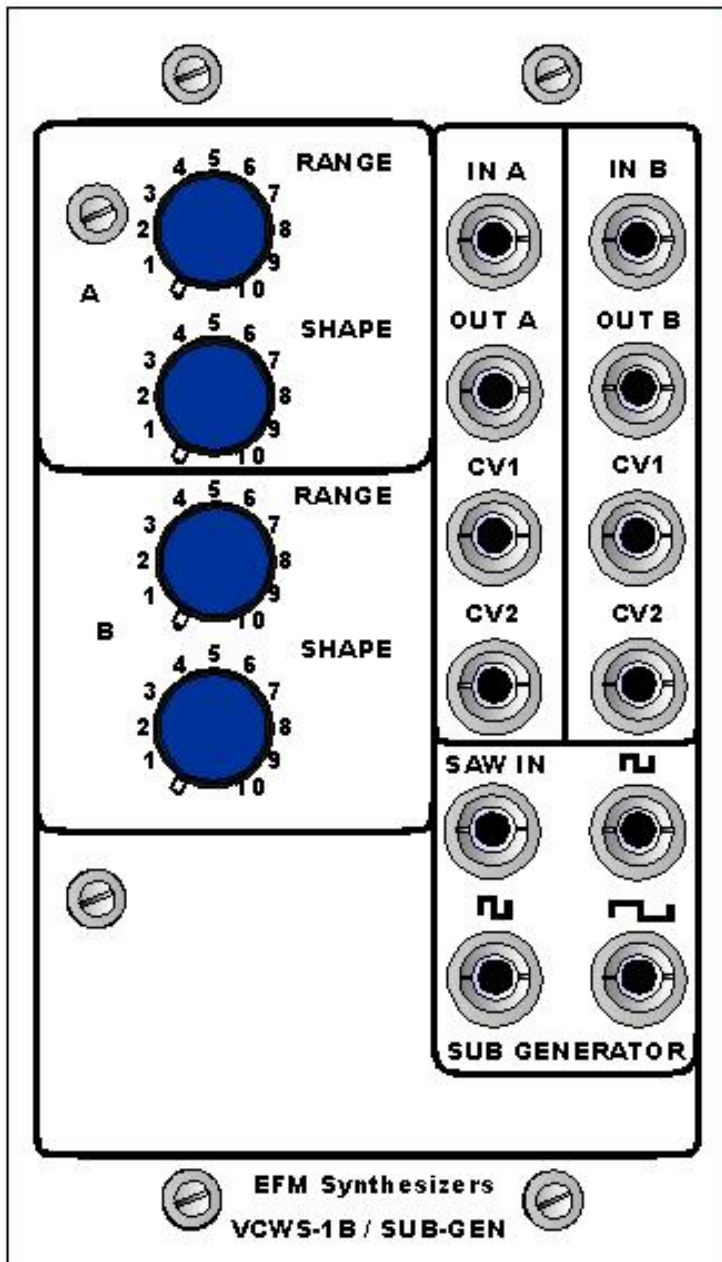


# EFM Synthesizers

WAV-1b

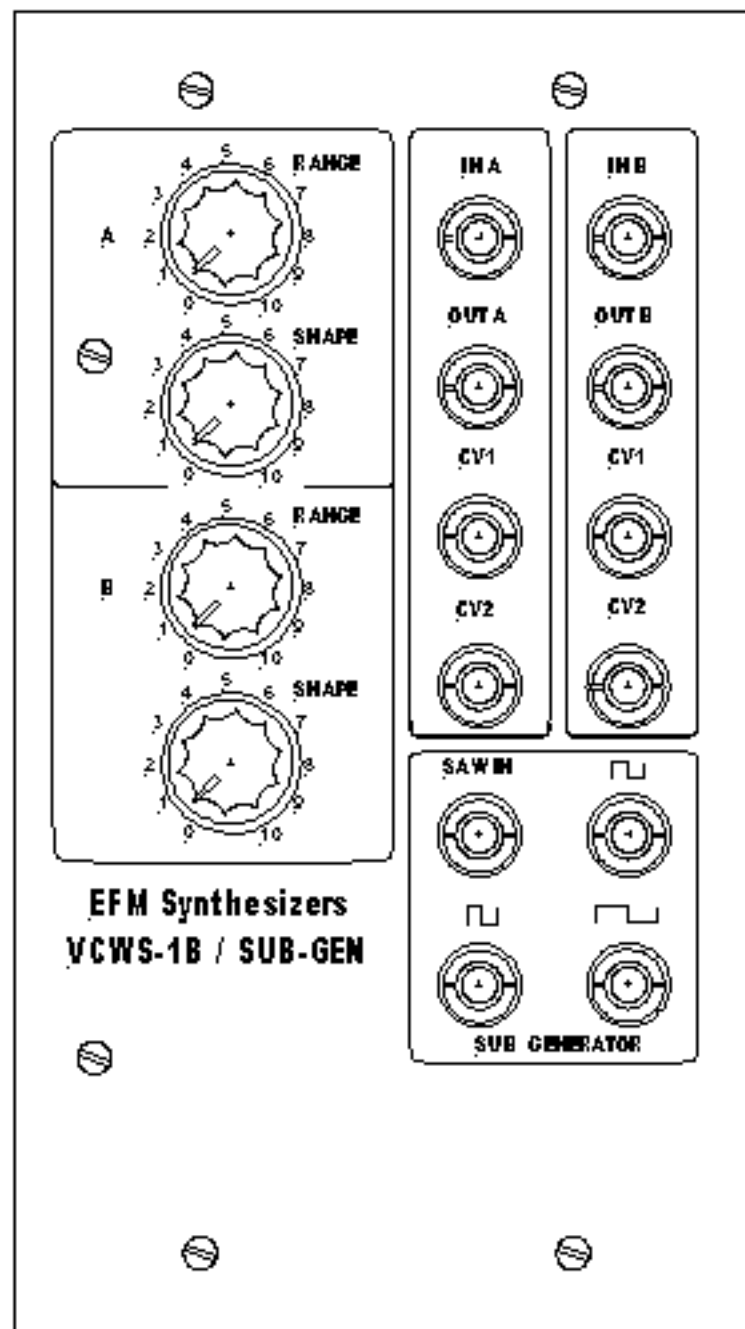


Voltage controlled wave shaper.  
Features...

- Dual Channel
- Mates with the VCO3 adding multi-wave operation
- Saw to Tri conversion
- Sub octave generator
- +/-12 or +/- 15V



## WAV1B



## PARTS LIST

## CAPACITORS

C1,C2,	0.1	2
C3,C5	.47	2
C4,C6	82p	2
C7	10/16	1

## RESISTORS

R1,R4,R10,R12,R20	22K	5
R2,R5,R7,R9,R13,R15	1.5M	6
R3,R11	220K	2
R6,R14	3.3K	2
R8,R16	330	2
R19,R44	680	2
R17	1M	1
R18	10K	1
R19,R21,R25	100K	3
R22,R23	47K	2
R24	33K	1

## POTENTIOMETERS

P1,P4	50K	4
-------	-----	---

## TRIMMER

T1,T2	50K	2
T3	10K	1

## DIODES

D1-D10	1N914	10
--------	-------	----

## TRANSISTORS

Q1	2N3904	1
----	--------	---

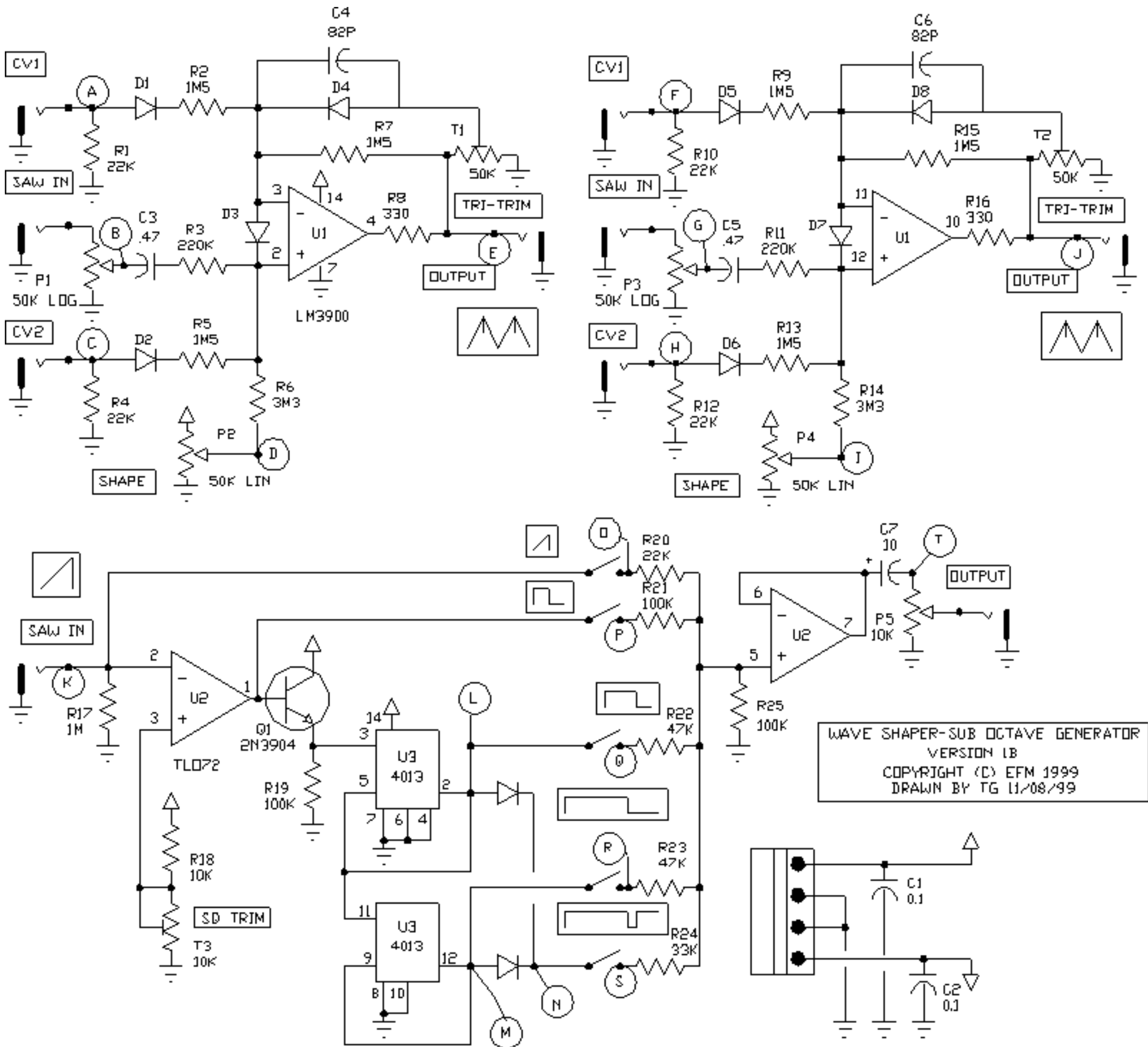
## ICS

U1	LM3900	1
U2	TLO72	1
U3	4013	

## JACKS

1/4 PHONE		10
-----------	--	----

## Schematic



Parts Placement

