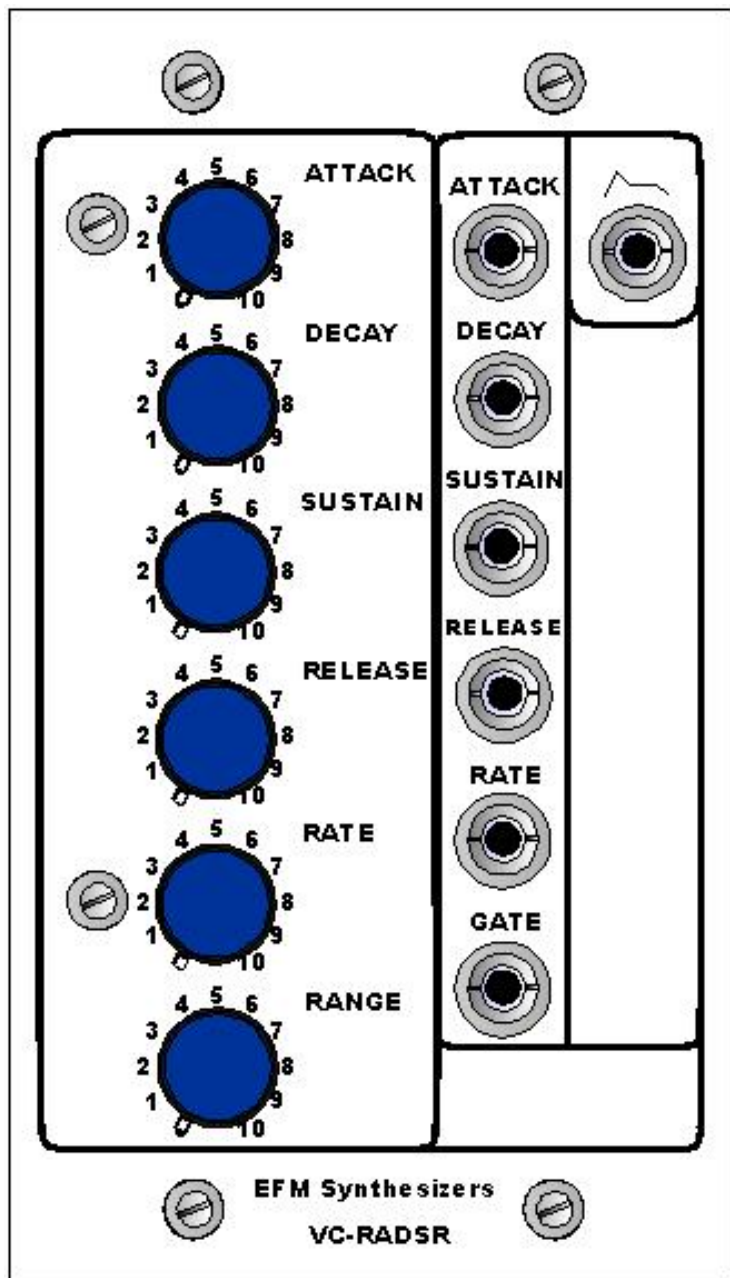


# EFM Synthesizers

## VC-RADSR

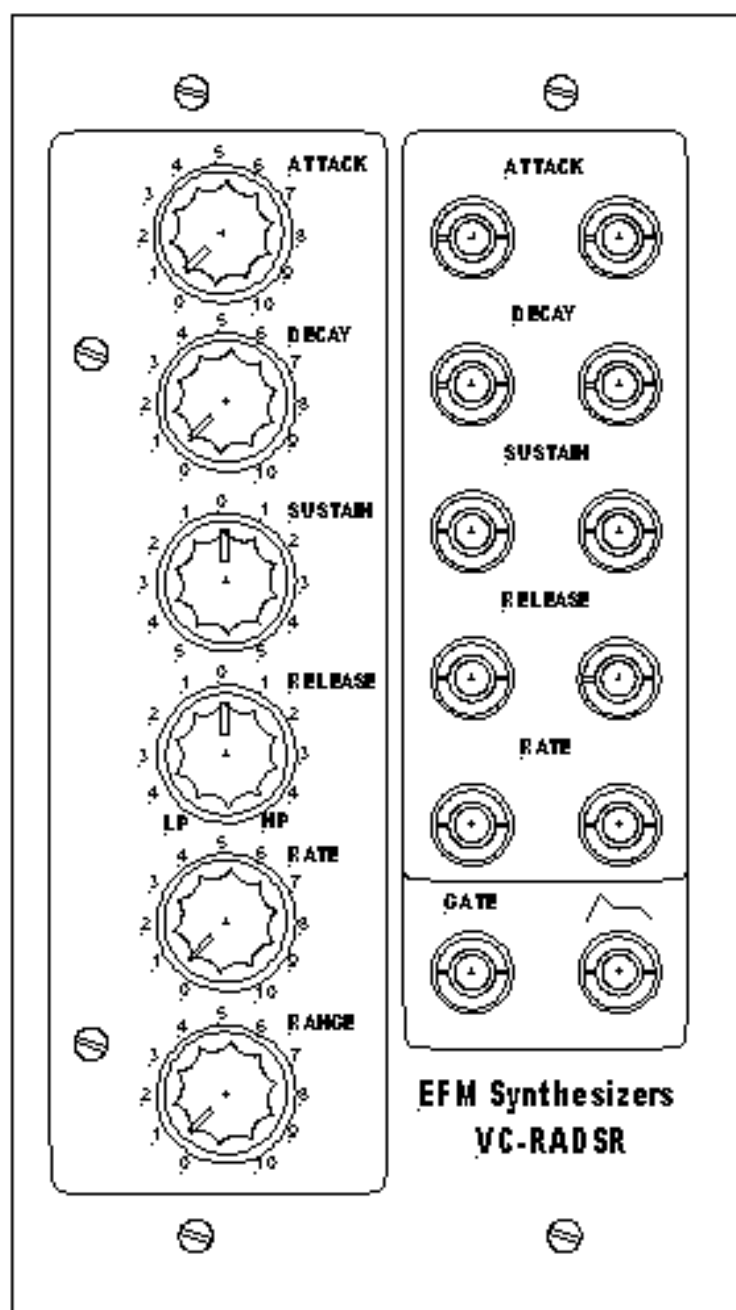


Voltage controlled ADSR Envelope generator. Features...

- Rate parameter. Set the envelope curve the change the overall time using one control.
- +/-12 or +/- 15V



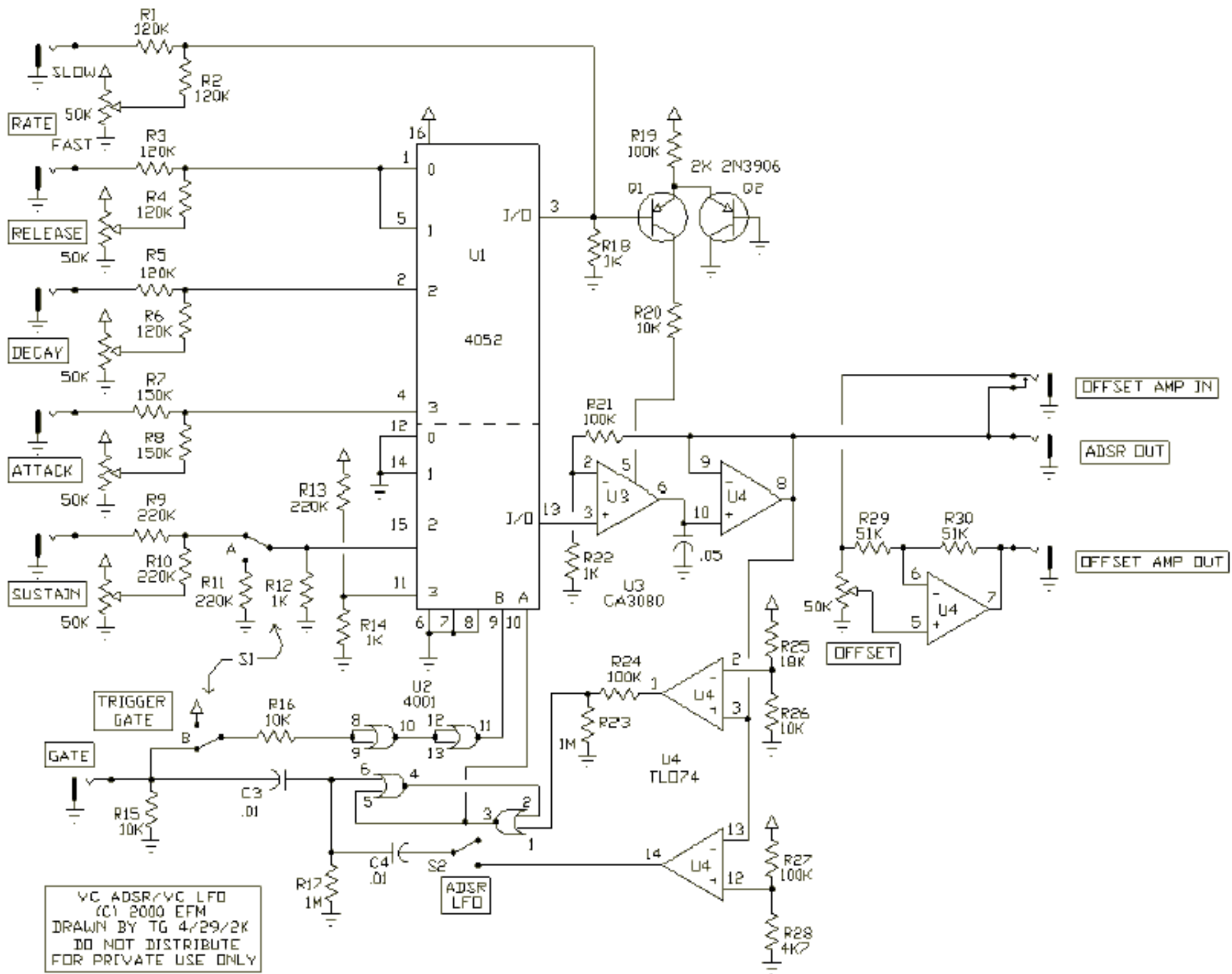
## VC-RADSR



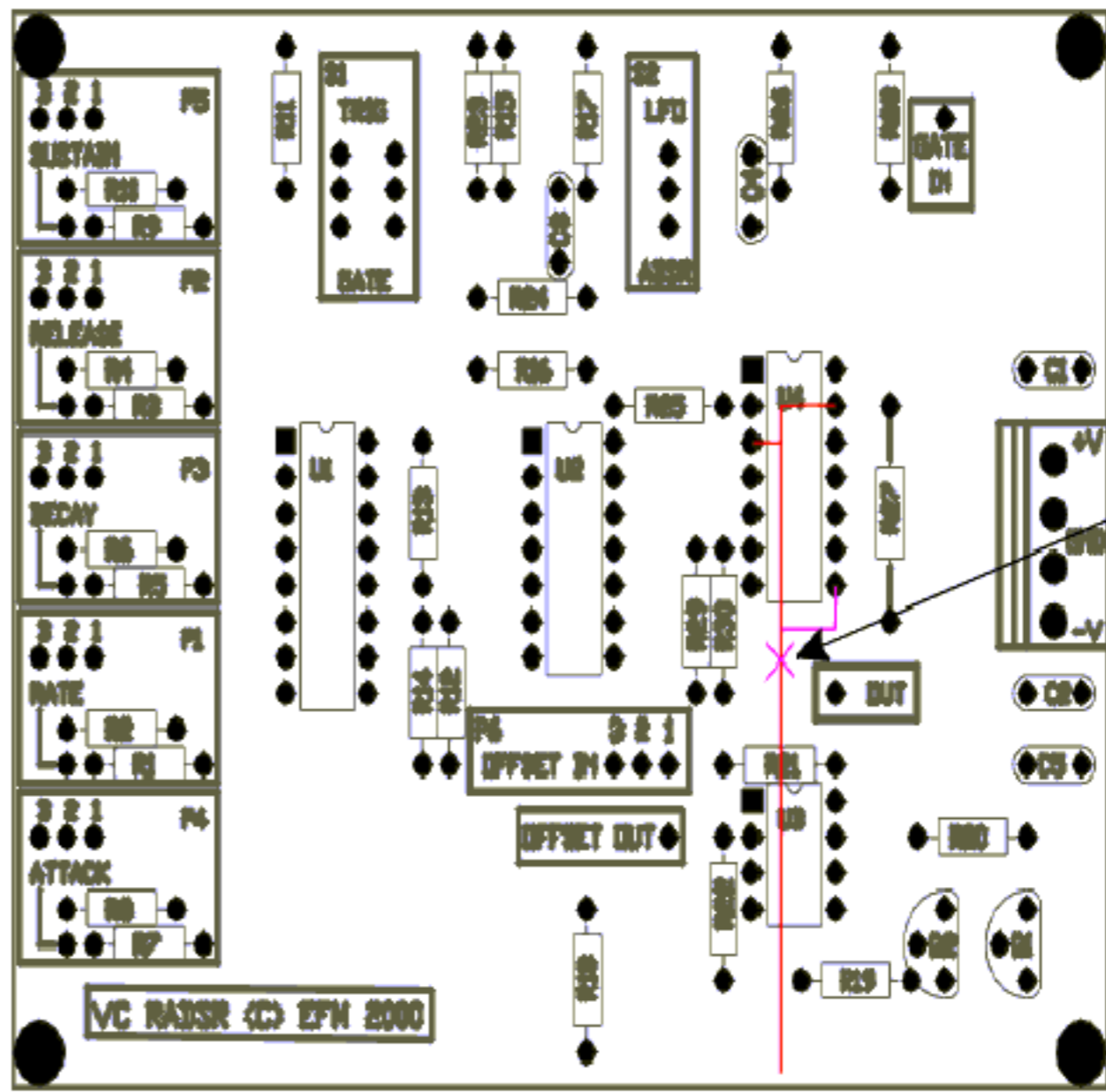
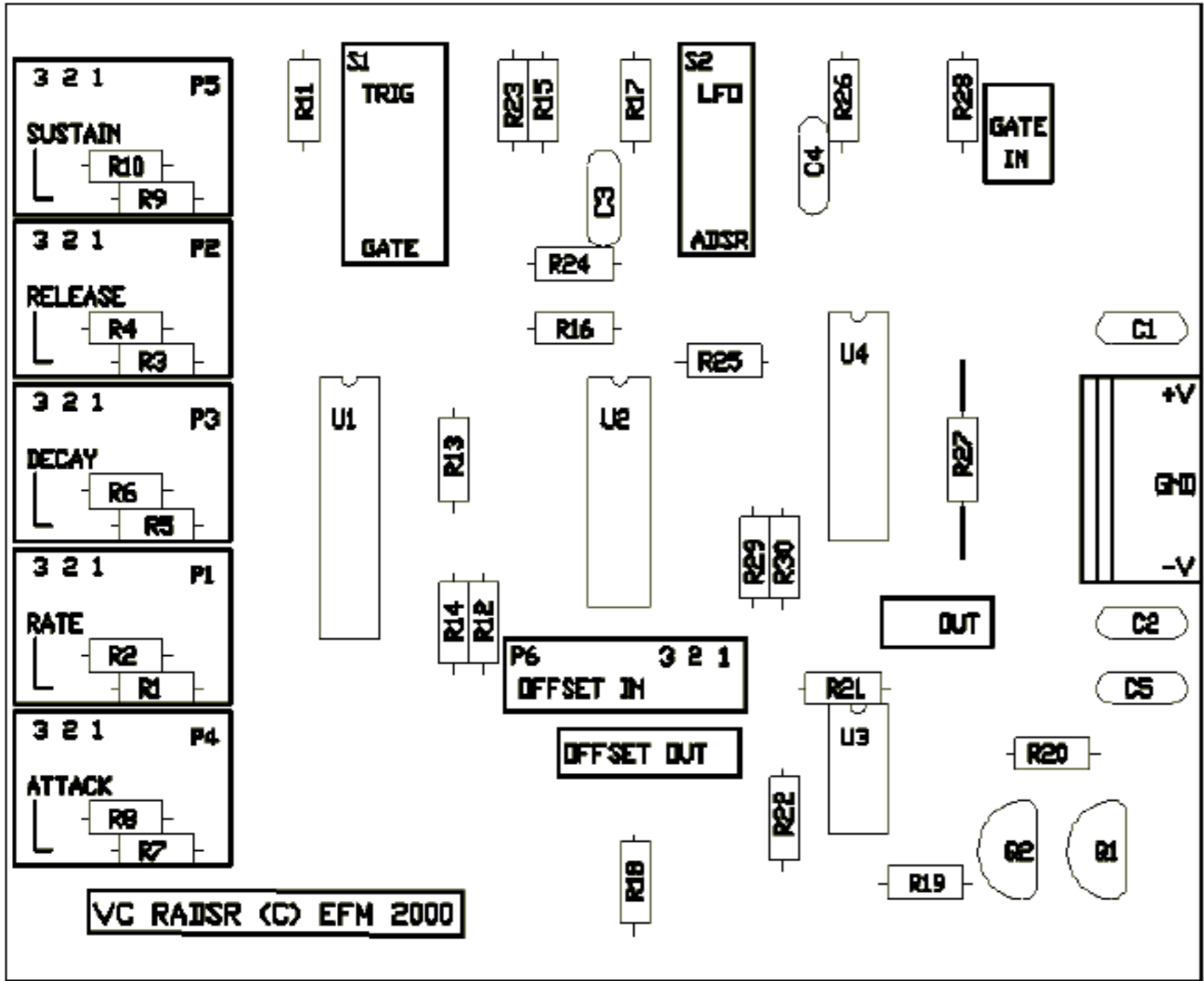
## Parts

C1, C2	0.1 uf	Capacitor - Polyester
C3, C4	.01 uf	Capacitor - Ceramic
U1	4052	CMOS 4 chn Mux/Dmux *
U2	4001	CMOS Quad 2-in NOR
U4	TLO74CN	IC Opamp - Quad JFet *
U3	CA3080	IC OTA
	VC-RADSR	PC Board and Kit
	50K	Pot 16mm Panel Mount Linier
R19, R21, R24, R27	100K	Resistor
R9, R10, R11, R13	220K	Resistor
R7, R8	150K	Resistor
R1, R2, R3, R4, R5, R6	120K	Resistor
R17, R23	1M	Resistor
R15, R16, R20, R26	10K	Resistor
R12, R14, R18, R22	1K	Resistor
R25	18K	Resistor
R28	4.7K	Resistor
R29, R30	47K	Resistor
Q1, Q2	2N3906	Transistor - GP PNP

## Schematic



Part Locations



Break this trace and connect to Pin 8