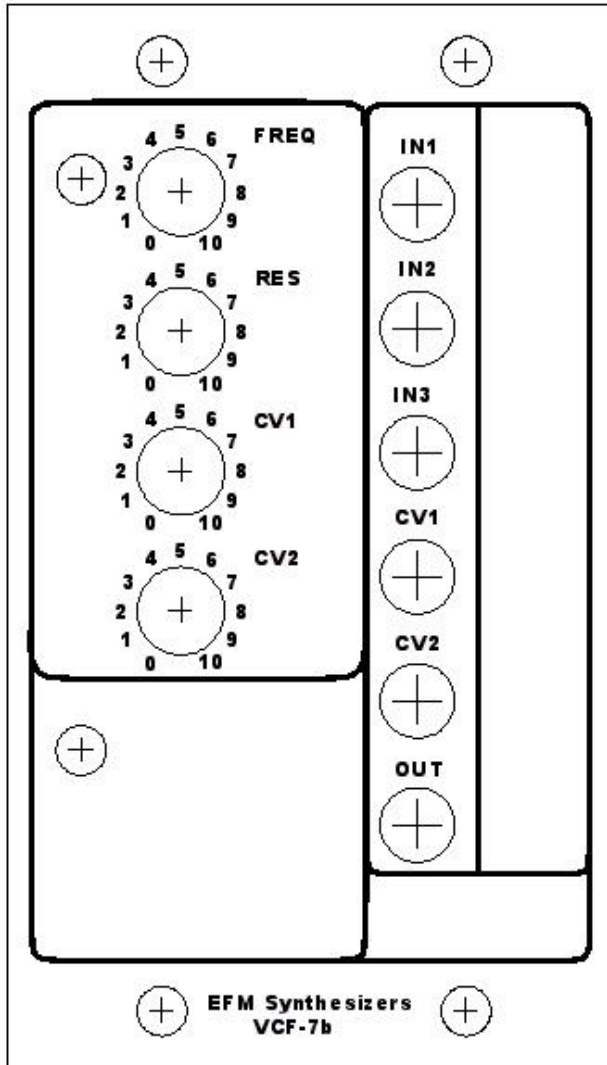


EFM Synthesizers

VCF 7b - 4 Pole 3900



Voltage controlled filter based on Arp 4072

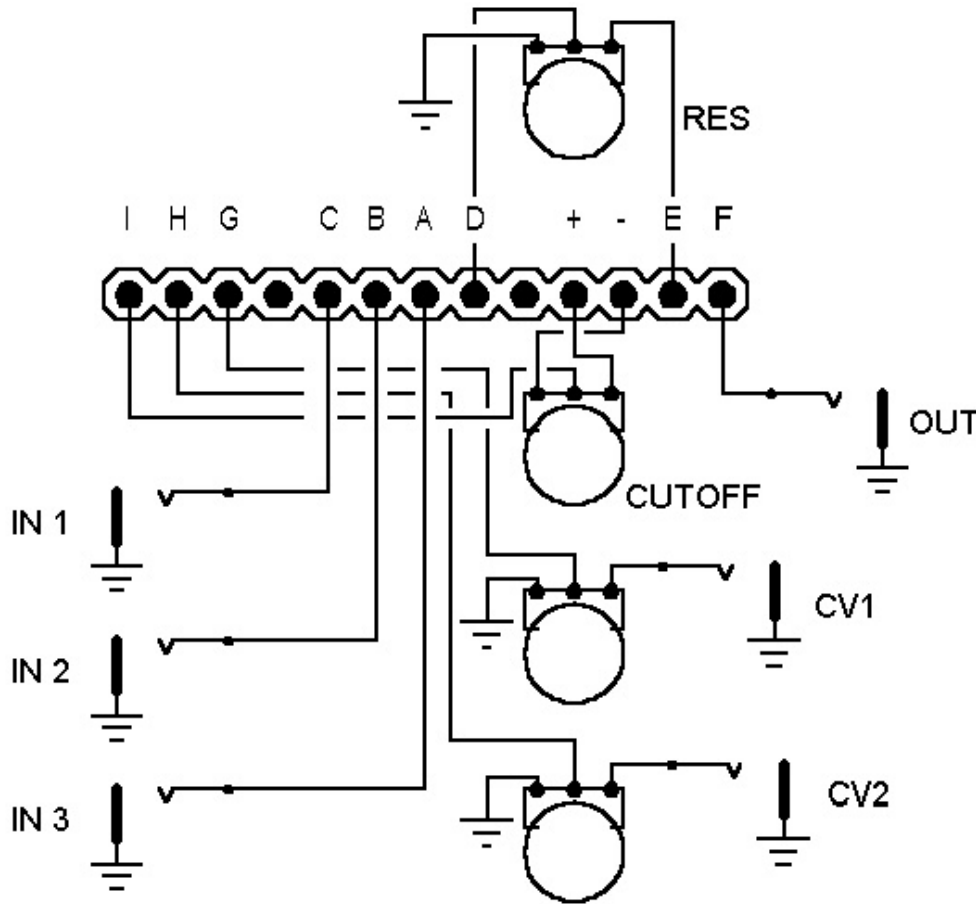
- 4 Pole LP LM3900
- +/-12 or +/- 15V

Assembly

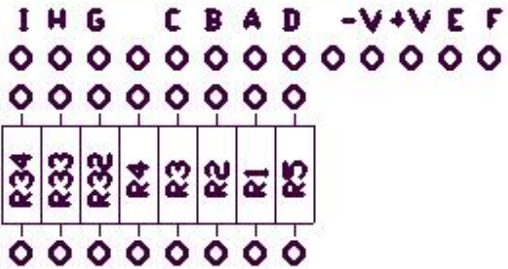
- Press the overlay on the panel blank
- Drill and clean the holes
- Remove the application tape and cutouts
- Mount the jacks, switches, pots ect... to the panel.
- Install the (1) jumper. (Shown as a solid black line)
- Install the resistors
- Install the IC sockets
- Install the capacitors
- Cut and solder header strip pins in pads used to connect wire to the board
- Plug the ICs into the sockets
- Mount the L-Brackets to the board with 440 screws and nuts, using the non threaded end of the bracket
- Mount the board to the panel with 440 screws using the threaded end of the bracket

- Wire the panel mounted parts to the header pins.

PC Board Wiring



Small Parts		
R9,11,13,16,19,21,24,27,29, 30,37,38,39	10K	13
R5	27K	1
R6	33K	1
R7,8,12,14,17,18,22,23,26	220	9
R4,10,15,20,25,31,36	1K	7
R1,2,3,28,30,32,33,34,35	100K	9
C1,2,7	0.1uF	3
C3,4,5,6	470pF	4
Q1-Q10	2N3906	10
U1	LM3900	1
U2	TLO72	1
Full Parts		
50K Pot		4
50K Trimmer		1
Knobs		4
Power Header		1
L - Bracket		2
Panel and Overlay		1



VCF7 (C) EFM 2002

