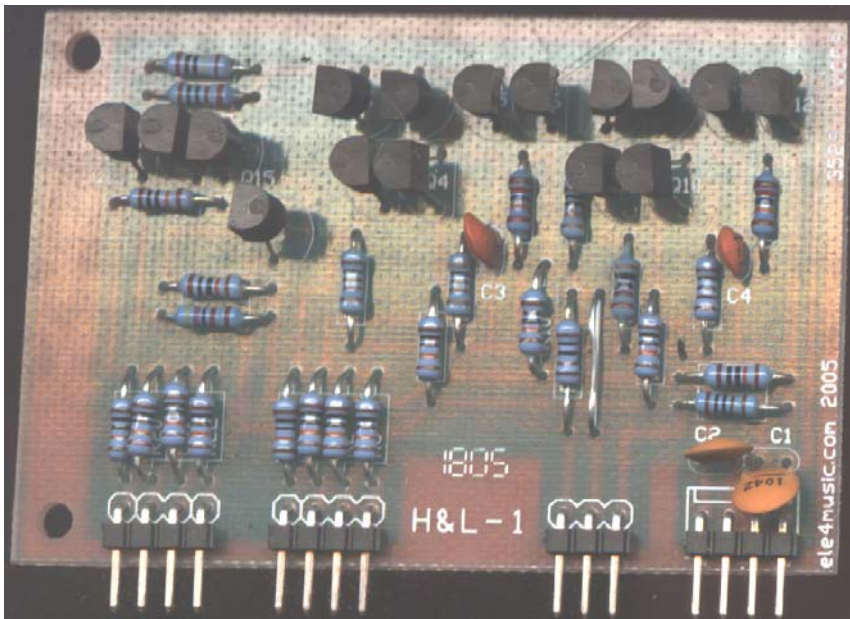
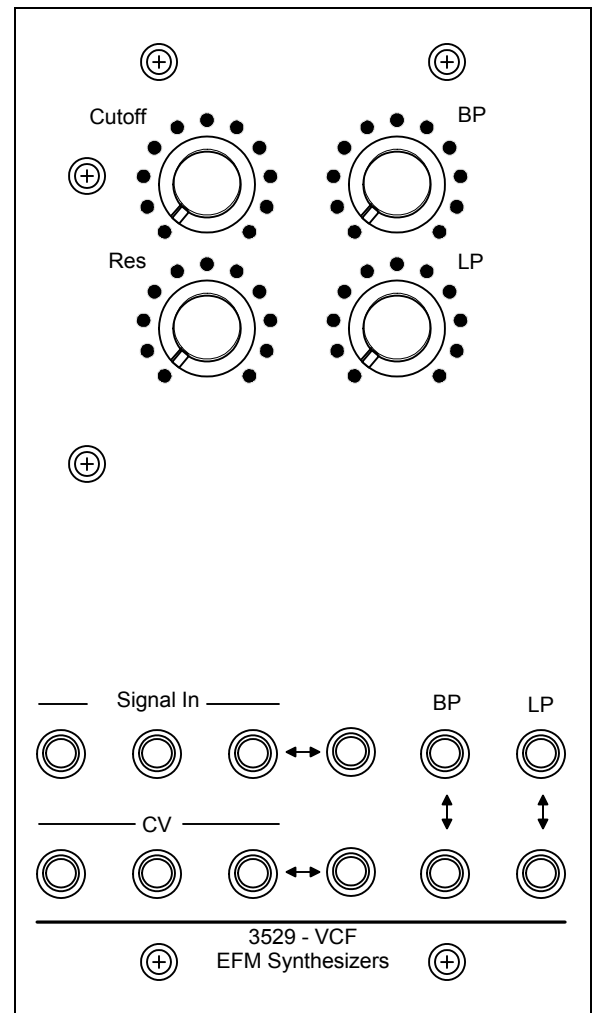


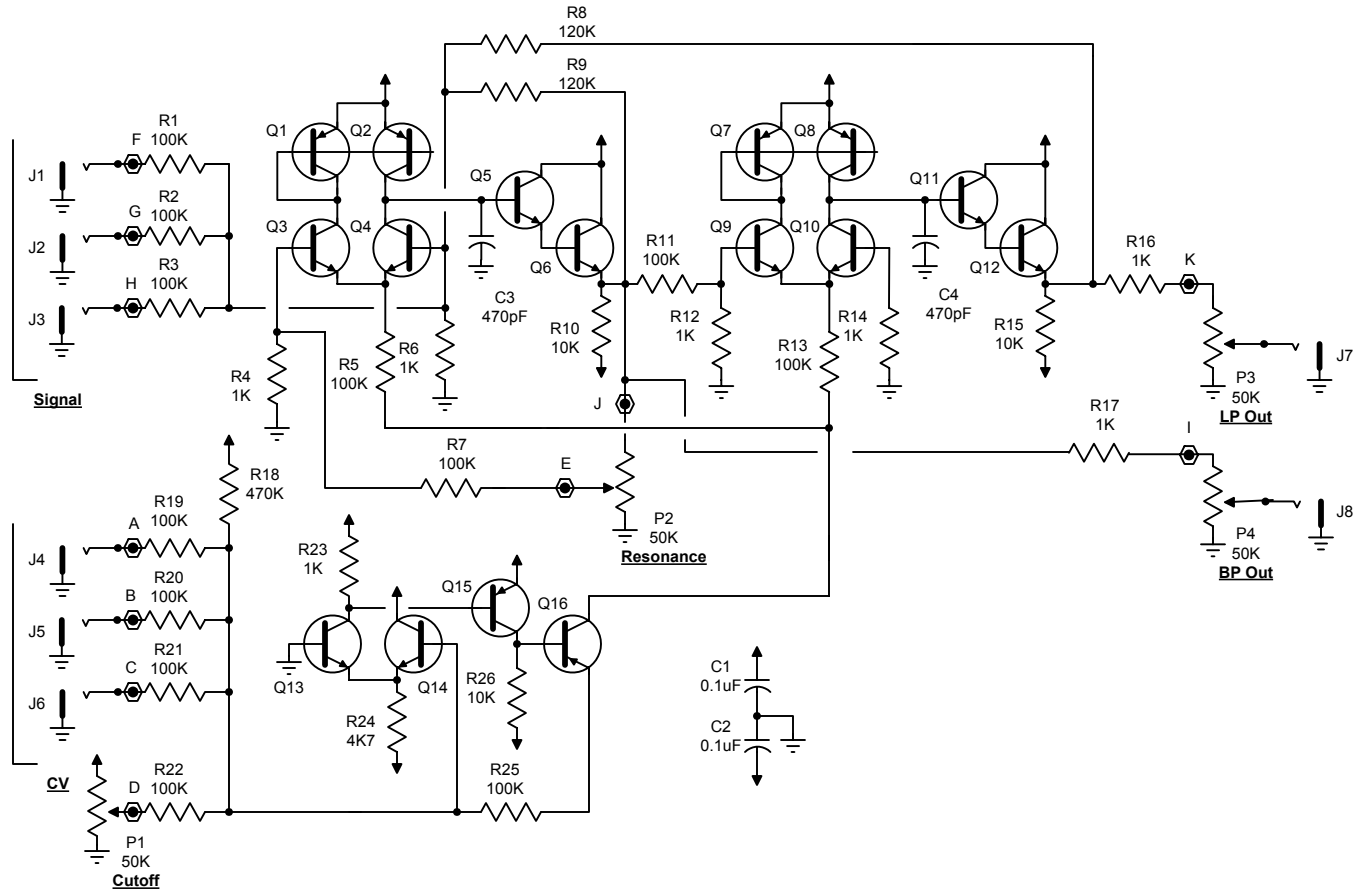
3529 VCF voltage controlled filter

The 3529 is based the Mastro Universal Synthesizer filter. It was used by ARP and a slightly modified version can be found in the Polyvoks.

Cell1 and Cell2 (See VCF1-3521) are identical integrators connected in series. The gain of these amplifiers determine the center frequency of the filter. The gain is set by bias current supplied by constant current source Q16. Current supplied from Q16 is reasonably constant and repeatable. High, and band-pass outputs are all available at the same time.

This ones looks a little different but only in appearance Q13,14 and15 form a discreet opamp voltage adder. Q16 is the constant current source.





Small Kit

PCB	PC Board	1
C1,2	0.1uF Ceramic	2
C3,4	470pF Ceramic	2
R1,2,3,5,7,11,13,19,20,21,22,25	100K	12
R4,6,12,14,16,17,23	1K	7
R8,9	120K	2
R10,15,26	10K	3
R18	680K	1
R24	4.7K	1
Q1,2,7,8,15,16	2N3906	6
Q3,4,5,6,9,10,11,12,13,14	2N3904	10

Full Kit

P1,2,3,4	50K Pot	4
Knob		4
Jack	1/8"	12
L Bracket w/hardware		2
Header		1
Panel		1
Overlay		1

