

**3503 MidiPort**

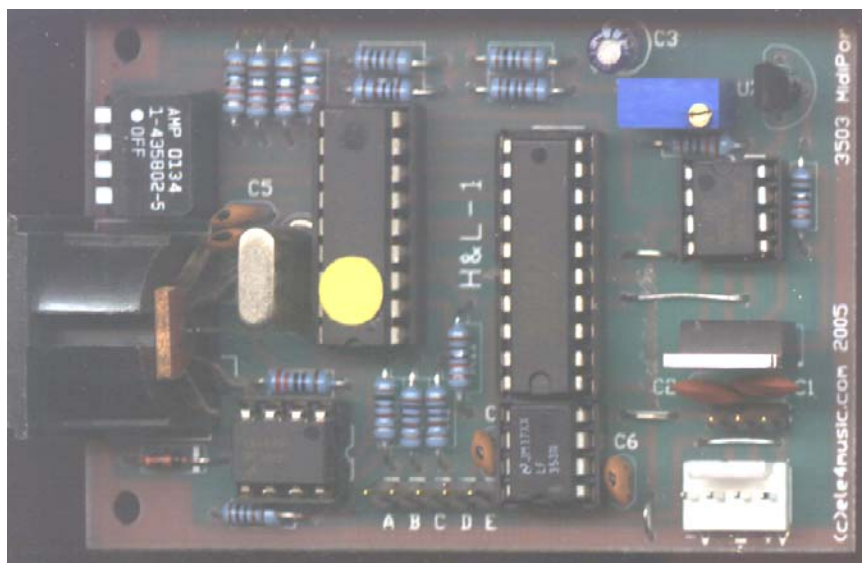
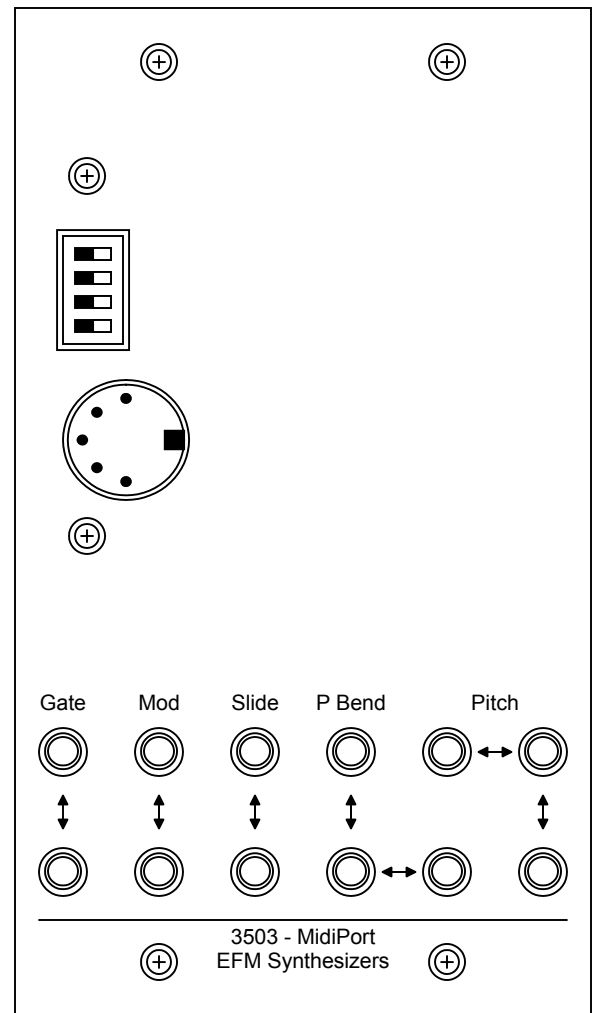
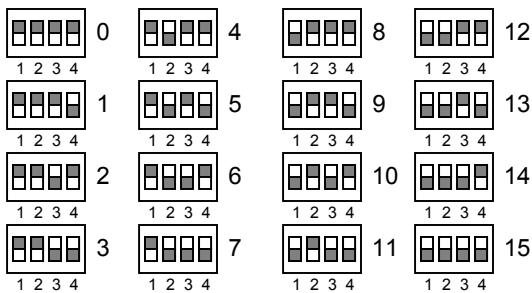
The 3503 MidiPort is designed to convert messages generated by a midi keyboard or other controller to control voltages.

It can operate from +/-12VCD to +/- 18VDC making it an ideal retrofit for classic CV controlled synthesizers. In order to minimize drilling the switch can be removed and the channel set with a jumper or the switch can be set and vertically mounted and hidden inside the modified unit.

**The 2403 outputs**

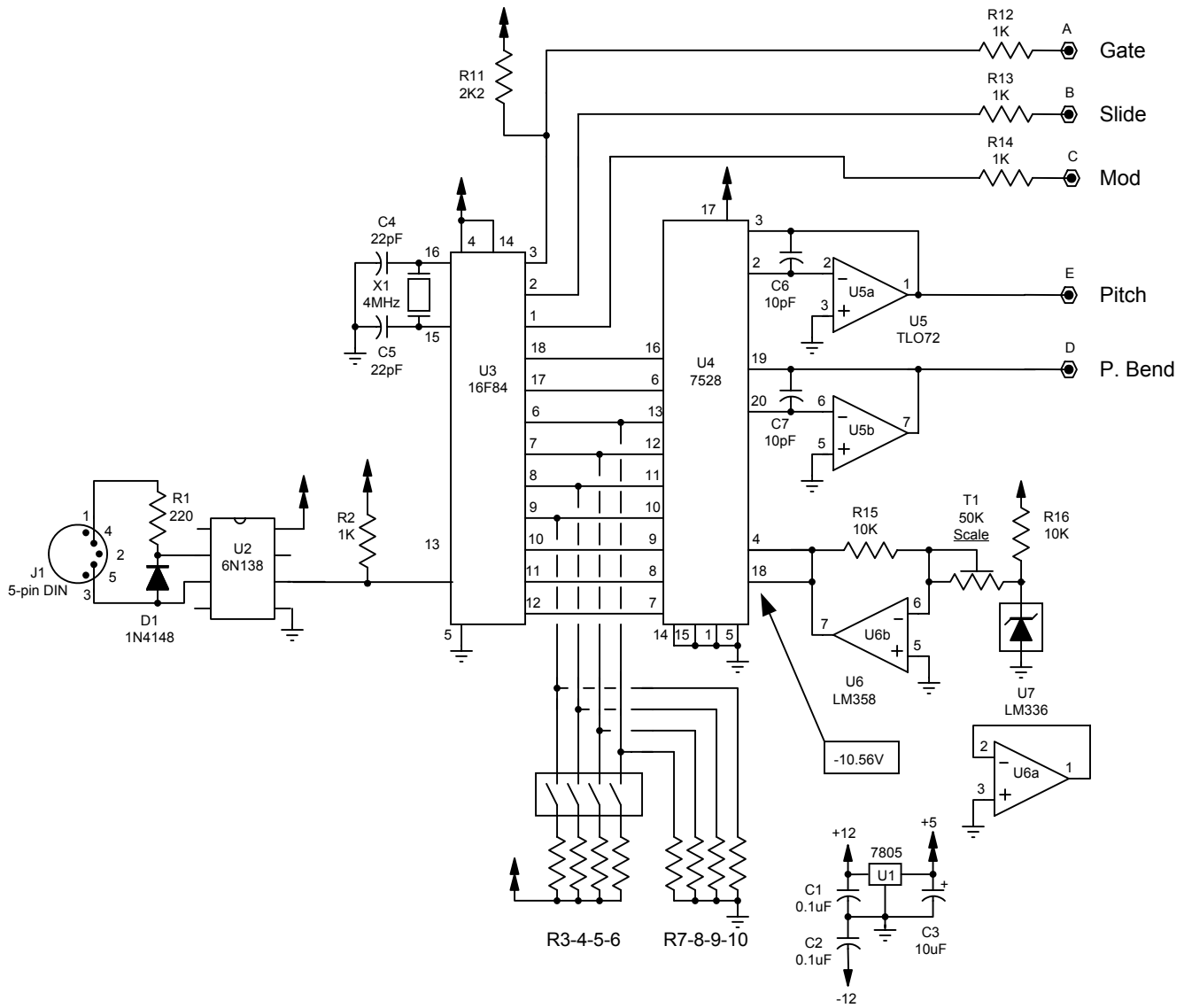
- Pitch
- Pitch Bend
- Gate
- Slide
- Mod

Midi Channel Select



**Special Thanks:**

This product would not be possible without Trevor Page's midi code. Thanks Trevor.



**Small Parts**

PCB	PC Board	1
C1,2	0.1uf Ceramic	2
C3	10uF	1
C4,5	22pf	2
C6,7	10pf	2
R1	220 ohm	1
R2,3,4,5,6,12,13,14	1K	8
R7,8,9,10,15,15	10K	6
R11	2K2	1
D1	1N4148	1
U1	7805	1
U2	6N138	1
U3	PIC16F84-10	1
U4	TLC7528CN	1
U5	TLO72	1
U6	LM358	1
U7	LM336	1
X1	4MHz Crystal	1

**Full Parts**

Jacks	1/8 Mini Jack	12
J1	5-Pin DIN	1
S1	4pos DIP	1
T1	Trimmer 50K	1
L Bracket w/hardware		2
Header		1
Panel		1
Overlay		1

