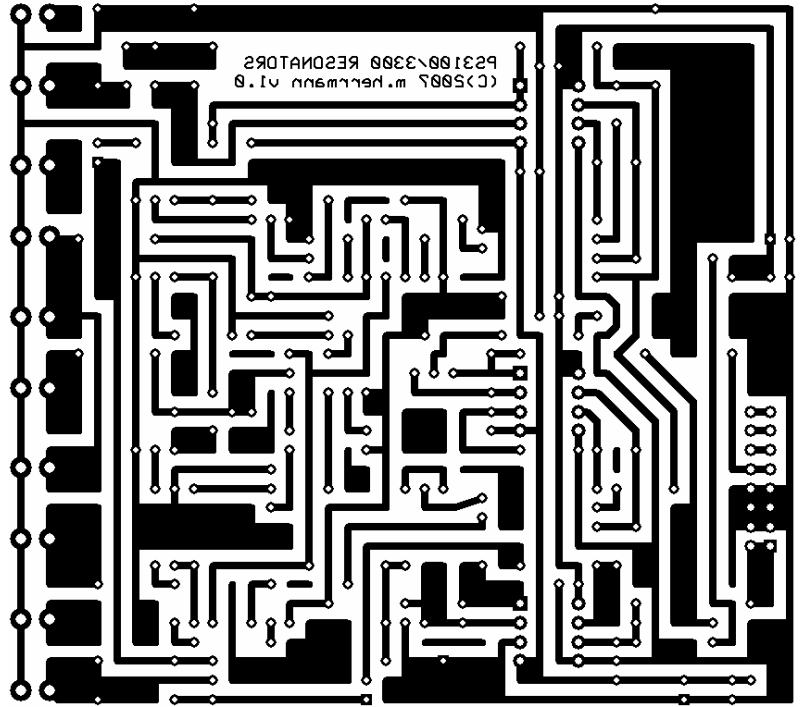


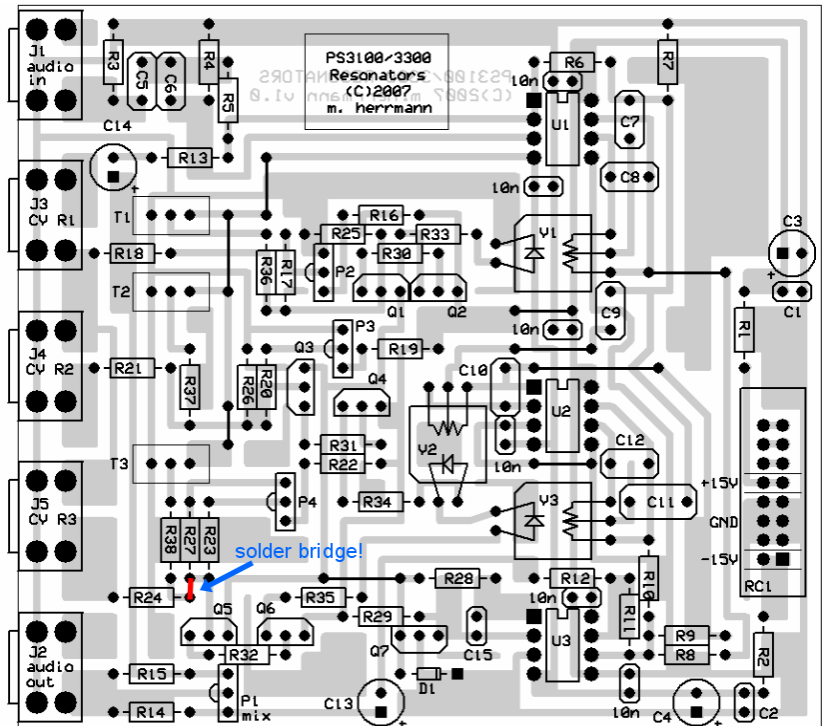
PS3100/3300 Resonators

ready 4 press'n'peel blue (component side view)

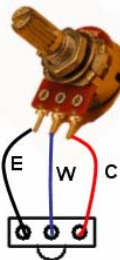
electrolytics	
C3, C4, 13, C14	10uf
ceramic	
C8, C10, C12	1n mica
C15	1n
C5, C6	33n
C1, C2, C7, C9, C11	100n
resistors	
R1, R2	22R
R7	47R
R12, R13	100R
R33, R34, R35	470R
R6	1.5k
R14, R15	1.8k
R28	2.2k
R25, R26, R27	2.7k
R16, R19, R22	4.7k
R10, R11, R30, R31, R32	10k
R4	68k
R3	100k
R5	150k
R8, R9, R17, R18, R20, R21, R23, R24, R36, R37, R38	270k
R29	3.3M
precision trimmer:	
T1, T2, T3	100k
semi's	
D1	1N4148
Q1, Q3, Q5, Q7	BC550c
Q2, Q4, Q6	BC560c
U1, U2	1458
U3	TL072
V1, V2, V3	VTL5C3/2
connections	
J1	audio in
J2	audio out
J3	cv1
J4	cv2
J5	cv3
RC1	Doepfer
pots:	
P1, P2, P3, P4	10k

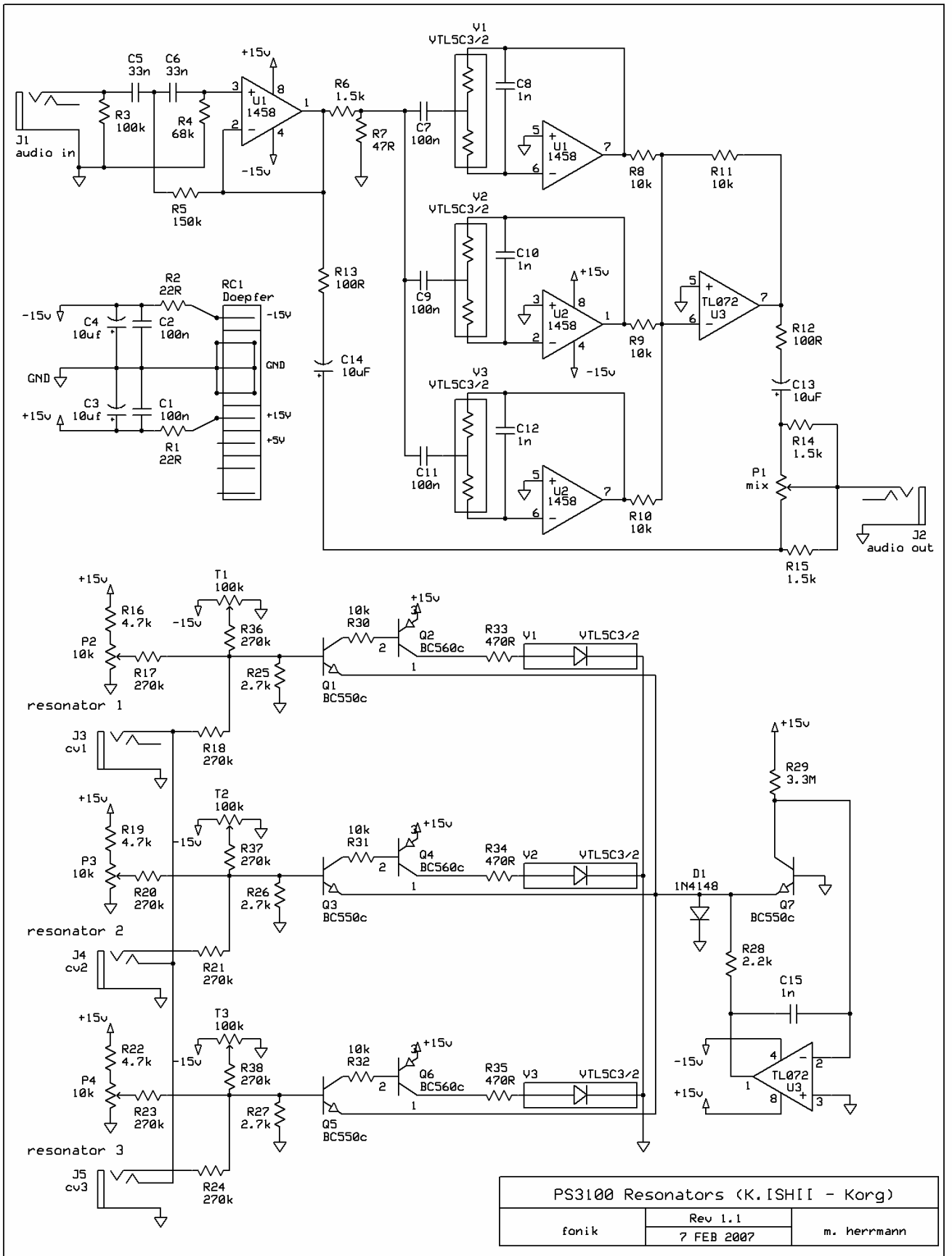


components diagram



How to connect the pots:





PS3100 Resonators (K. [SHII] - Korg)		
fonik	Rev 1.1	m. herrmann
	7 FEB 2007	