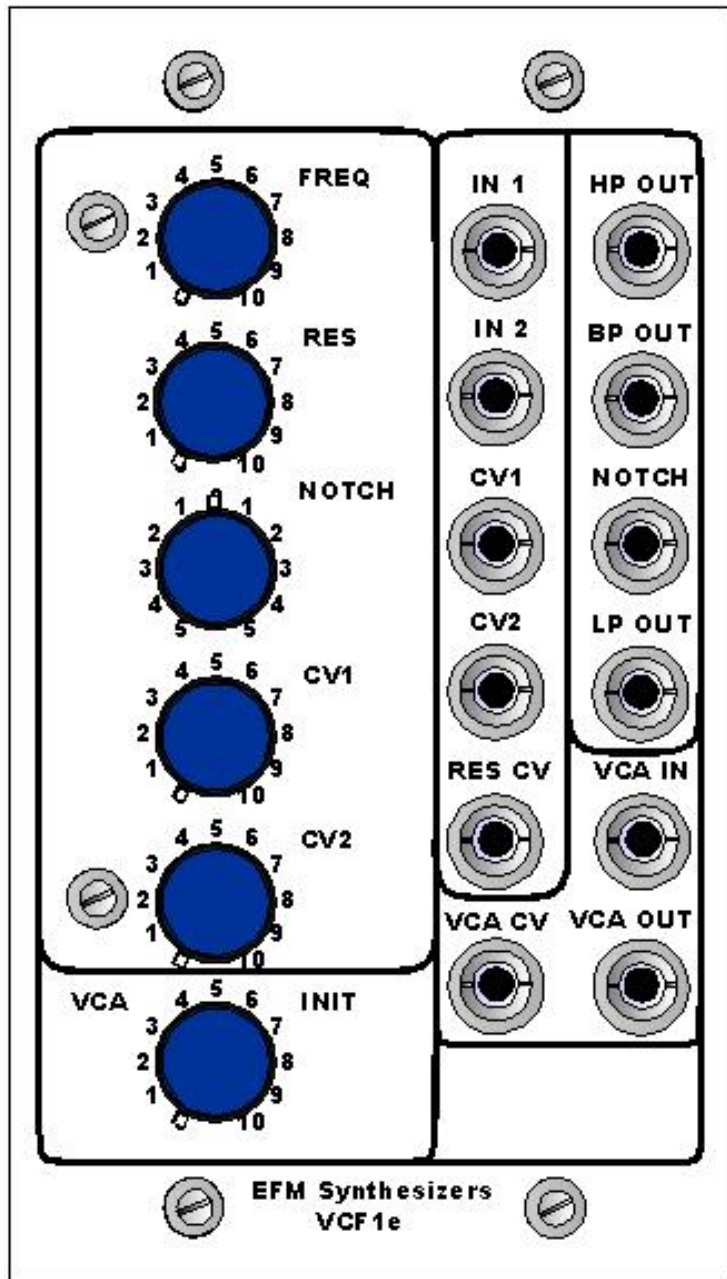


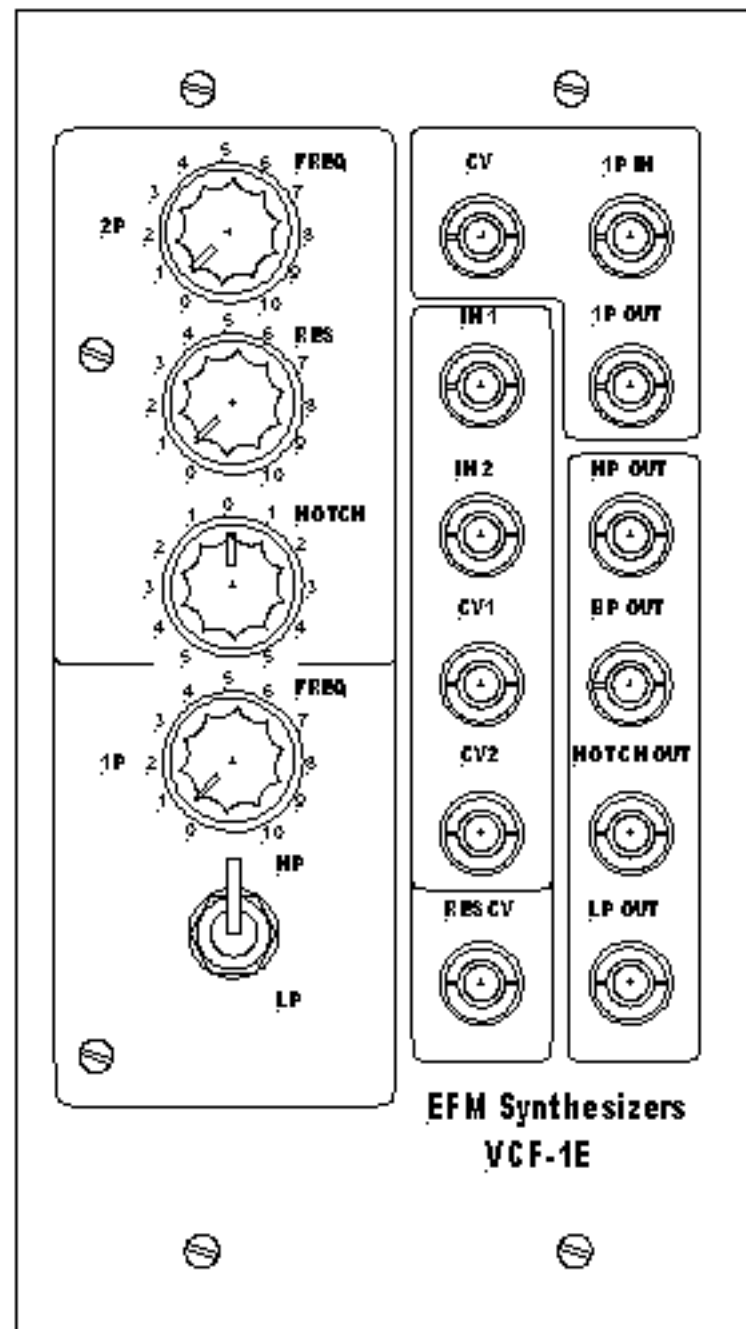
EFM Synthesizers

VCF 1e



Voltage controlled filter based on the early OBs. Features...

- 2 Pole HP , BP , LP and Variable Notch Outputs at the same time
- Voltage controlled resonance
- Extra 1 Pole HP/LP selectable filter may also be used as a VCA instead.
- +/-12 or +/- 15V

VCF 1e**Parts List****CAPACITORS**

C1,C2	0.1	2
C3	470p	1
C4,C5	220p	2

RESISTORS

R1,R2,R11-R18,R20,R28	100K	20
R32,R33,R36-R41	1K	5
R3,R7,R8,R34,R42	10K	10
R4,R5,R10,R22,R26,R30, R31,R35,R43,R44	330K	2
R6,R9	220	3
R19,R21,R27	330	2
R23-R25	33K	1

POTENTIOMETERS

P1,P2,P3	50K	3
----------	-----	---

TRIMMER

T1	50K	6
----	-----	---

TRANSISTORS

Q1-Q6	2N3906	6
-------	--------	---

ICS

U1	TLO72	1
----	-------	---

U2,U3	LM13600	2
-------	---------	---

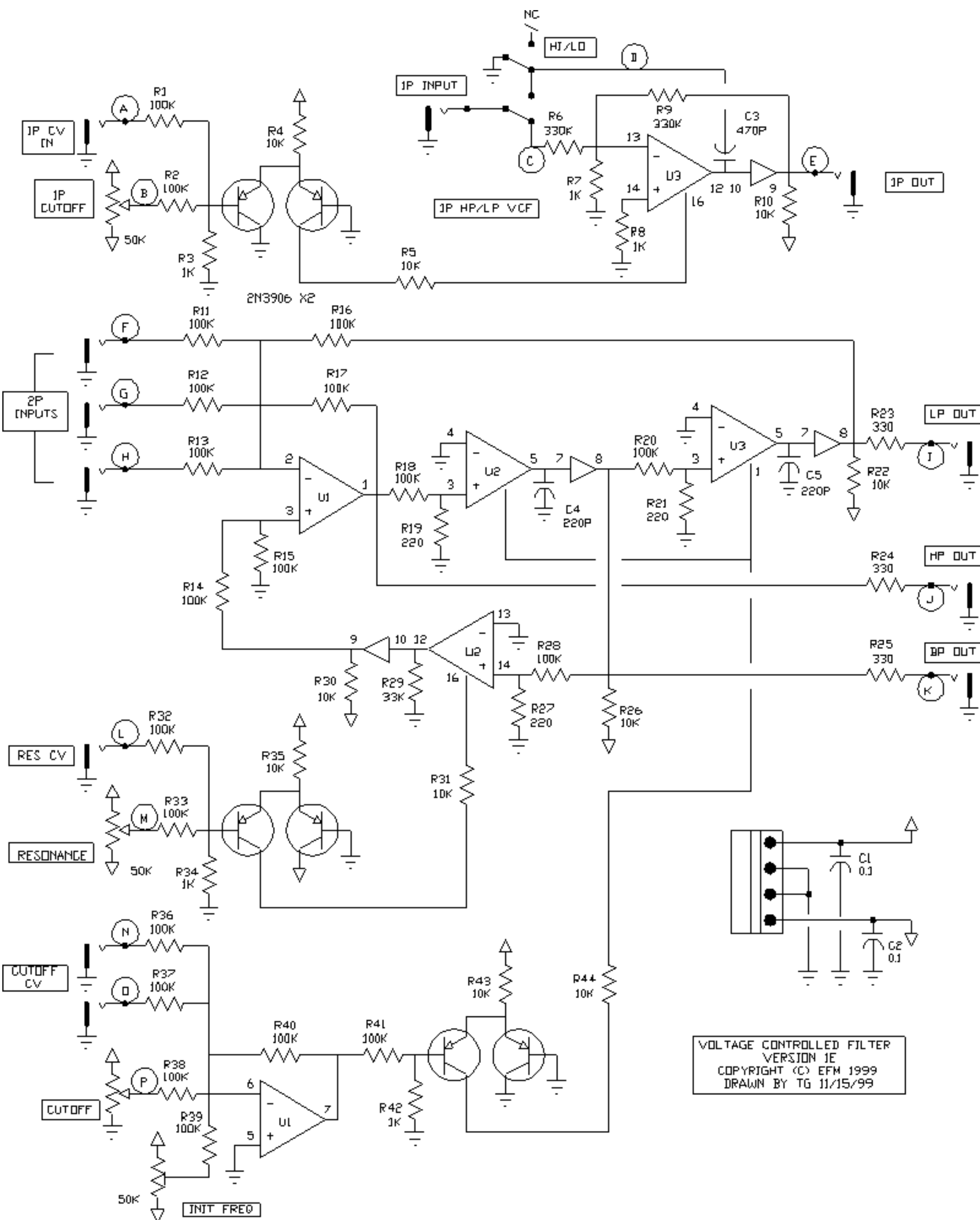
SWITCHES

DPDT		1
------	--	---

JACKS

1/4 PHONE		11
-----------	--	----

Schematic



Parts Placement

