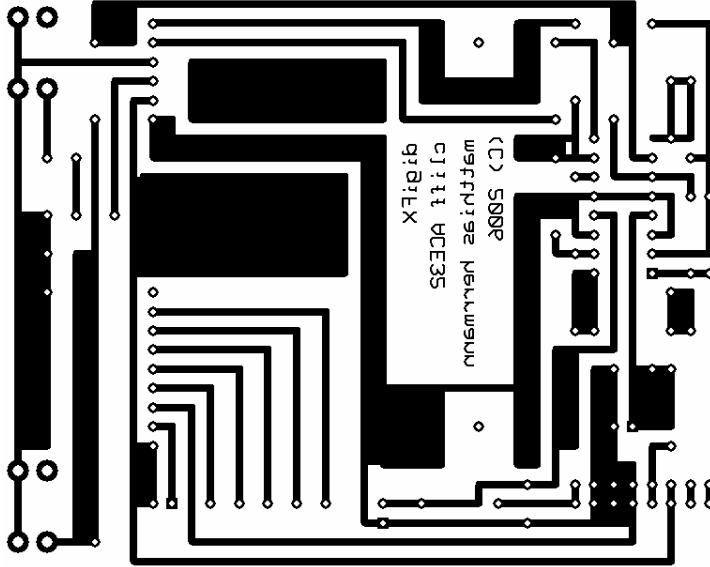
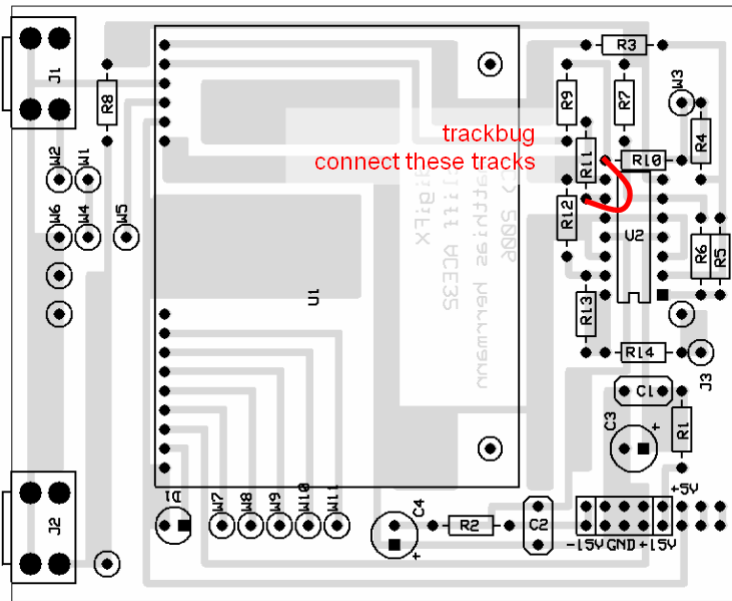


Digi FX

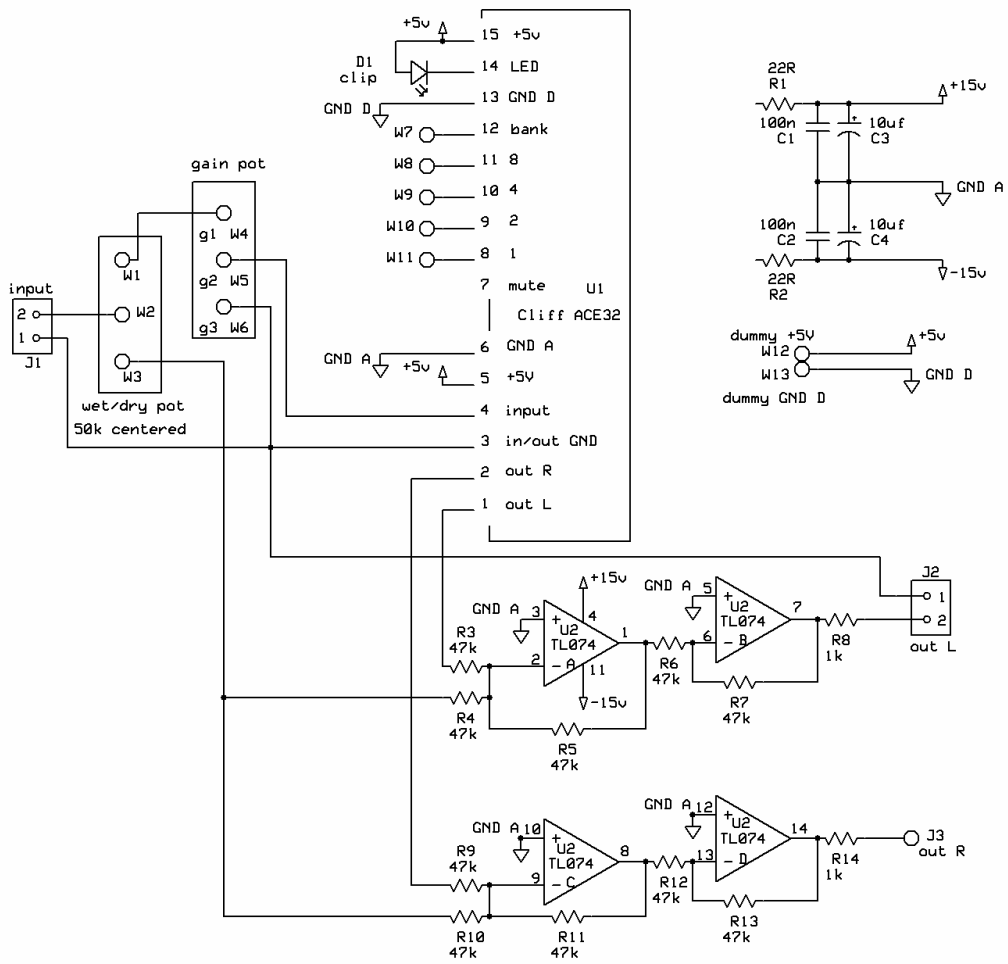
breadboarded/tested



- C1 100n
- C2 100n
- C3 10uf
- C4 10uf
- D1 clip LED
- J1 input
- J2 out L
- J3 out R
- R1 22R
- R2 22R
- R3 47k
- R4 47k
- R5 47k
- R6 47k
- R7 47k
- R8 1k
- R9 47k
- R10 47k
- R11 47k
- R12 47k
- R13 47k
- R14 1k



- U1 Cliff ACE32
- U2 TL074
- W1 mp1
- W2 mp2
- W3 mp3
- W4 gp1
- W5 gp2
- W6 gp3
- W7 bank
- W8 8
- W9 4
- W10 2
- W11 1



digiFX mainboard (for Cliff ACE32)
 Matthias Herrmann
 Rev 1.0
 15.02.2006