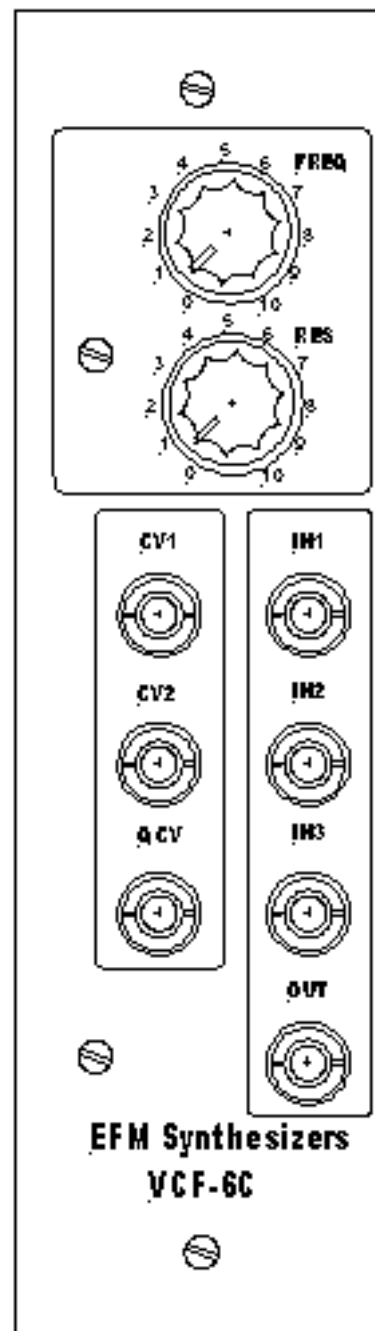


**VCF6C****PARTS LIST****CAPACITORS**

C1,C2,C4-C7	0.1	6
C3,C9,C10	10/16	3
C8	220/16	1

**RESISTORS**

R1-R3,R12	47K	4
R3,R5,R18,R20	1K	4
R6	2K2	1
R7,R9,R13,R19,R24	10K	5
R8	470K	1
R10,R14-R17	100K	5
R11	220	1
R21,R22	220K	2
R23	1M	1

**POTENTIOMETERS**

P1,P2	50K	2
-------	-----	---

**TRIMMER**

T1	50K	1
----	-----	---

**TRANSISTORS**

Q1,Q2,Q4	2N3904	3
Q3,Q5	2N3906	2

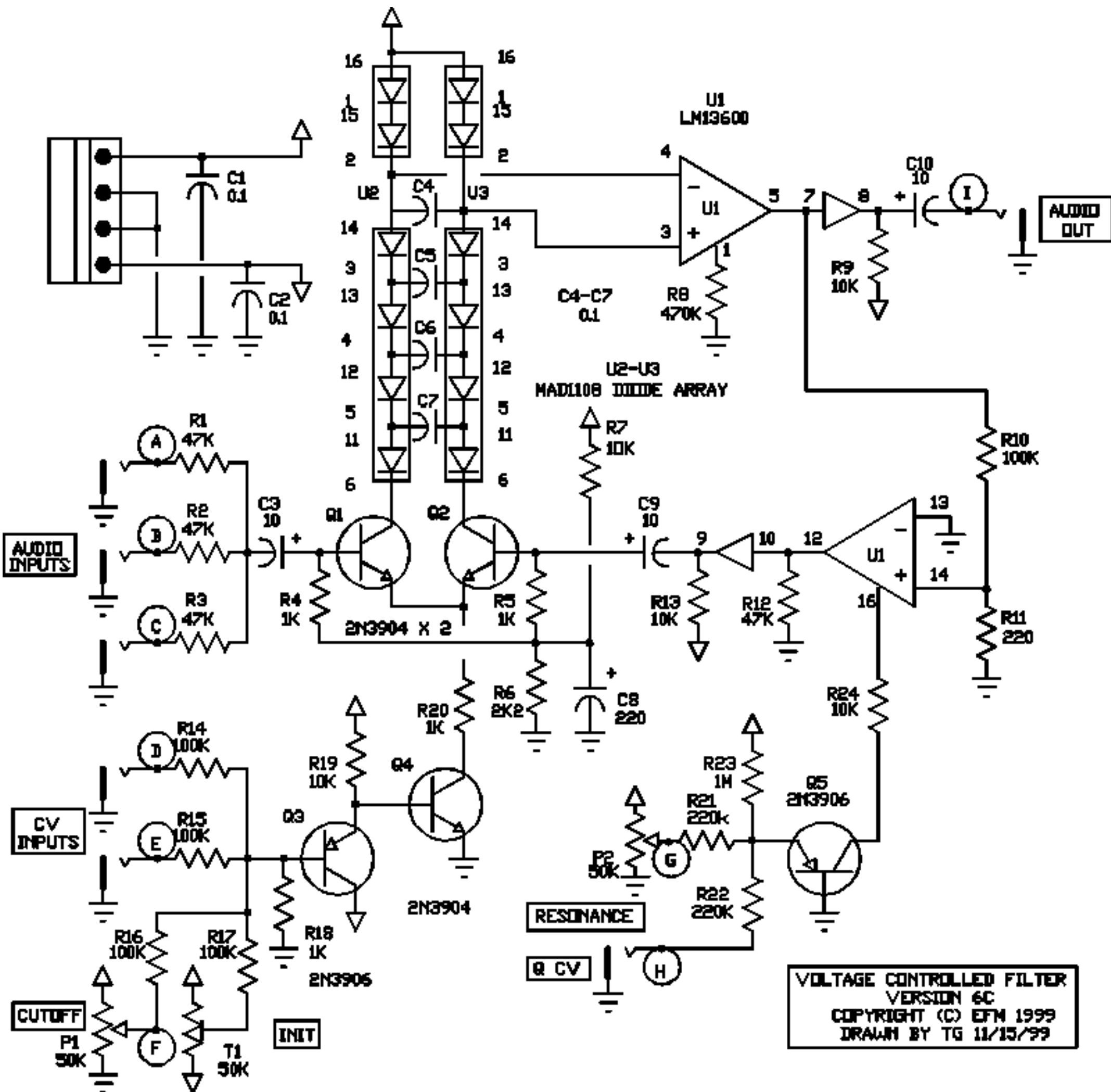
**ICS**

U1	LM13600	1
----	---------	---

**JACKS**

1/8 PHONE		7
-----------	--	---

## Schematic



## Parts Placement

