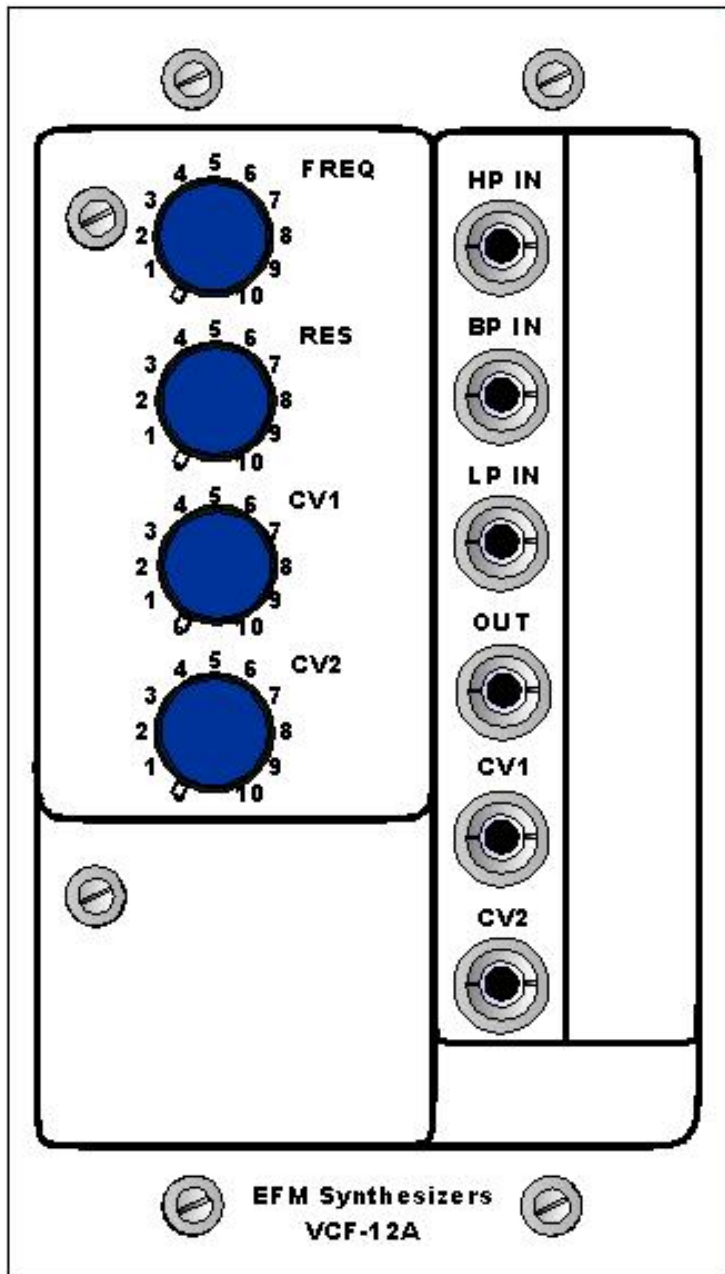


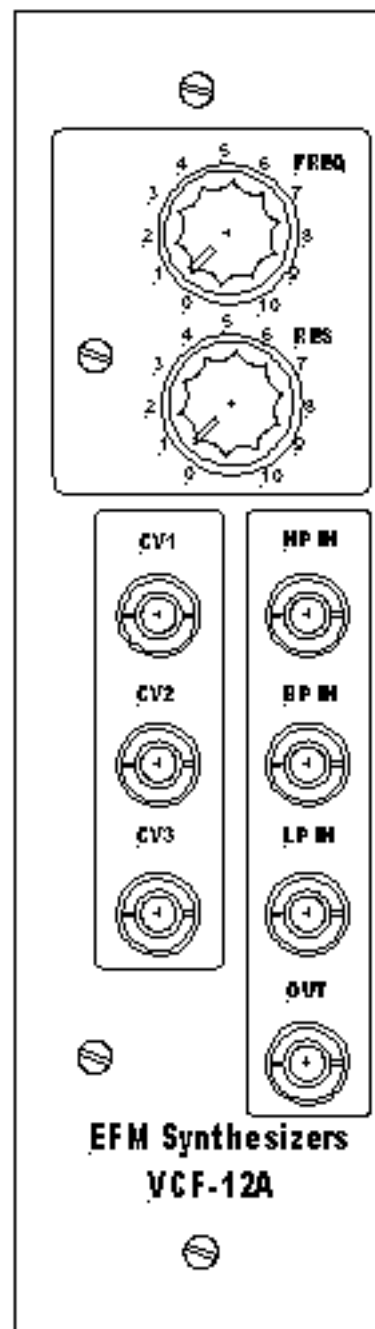
EFM Synthesizers

VCF12a



Voltage controlled filter based on the Korg Delta. Features...

- Sounds a lot like a SSM2040
- 4Pole HP/BP/LP Sallen Key
- +/-12 or +/- 15V

VCF 12a**PARTS LIST****CAPACITORS**

C1,C2,	0.1	2
C3	10/16	1
C4,5,6,7	.001	4
C8	47/35	1

RESISTORS

R1,2,4,5,6,9,11,14,16,19, 21,24,27,28,29,30,32	22K	18
R10,15,20,25,34	10K	5
R31	150K	1
R7,8,12,13,17,18,22,23,33	1K	9
R26	33K	1

POTENTIOMETERS

P1,2	50K	4
------	-----	---

DIODES

D1-6	1N914	6
------	-------	---

TRANSISTORS

Q1-2	2N3906	1
------	--------	---

ICS

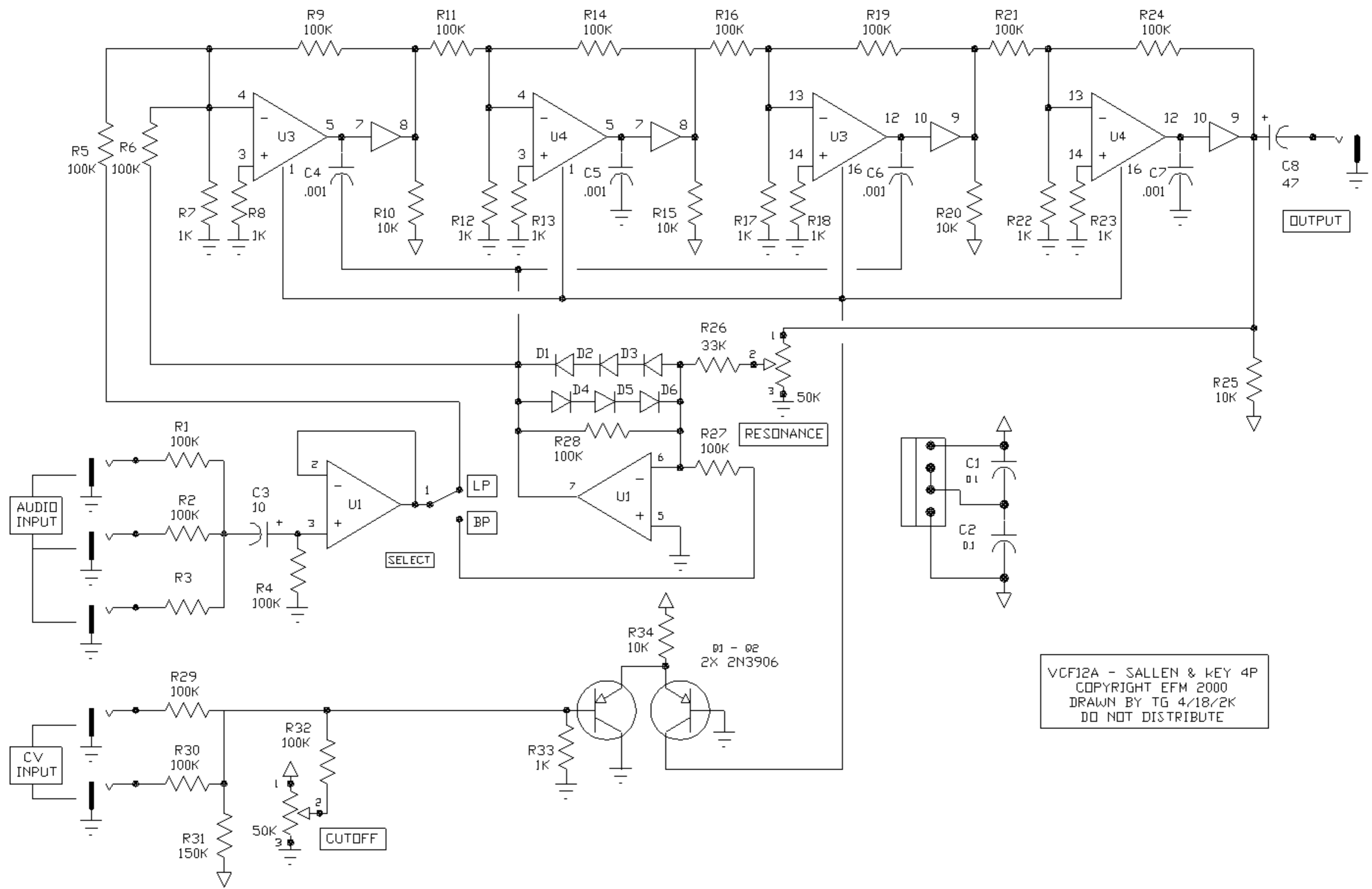
U1	TLO72	1
----	-------	---

U2,3	LM13600	1
------	---------	---

JACKS

1/8 PHONE		7
-----------	--	---

Schematic



VCF12A - SALLEN & KEY 4P
 COPYRIGHT EFM 2000
 DRAWN BY TG 4/18/2K
 DO NOT DISTRIBUTE

Parts Placement

