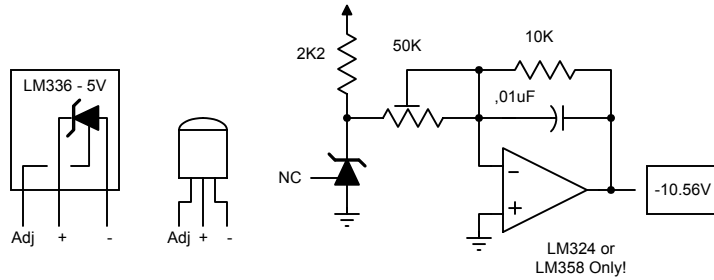


Voltage Reference Modifications - Replacing the LM336Z 5.0V reference

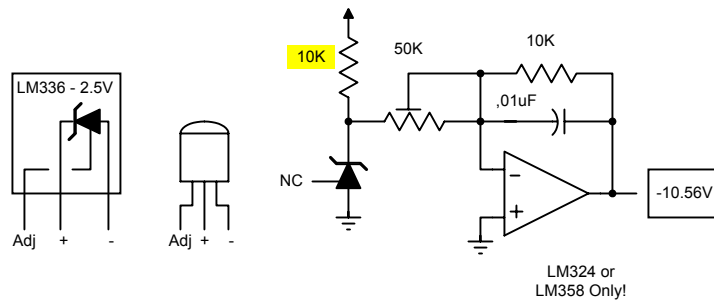
Original

The original circuit using the LM336 - 5V reference.



LM336 - 2.5V

We are now shipping the LM336 - 2.5V reference w/10K resistor and suggest changing the 2K2 ohm resistor to 10K if you are using stock parts.



TL431

If you use the TL431 note that the anode and cathode are reversed.

