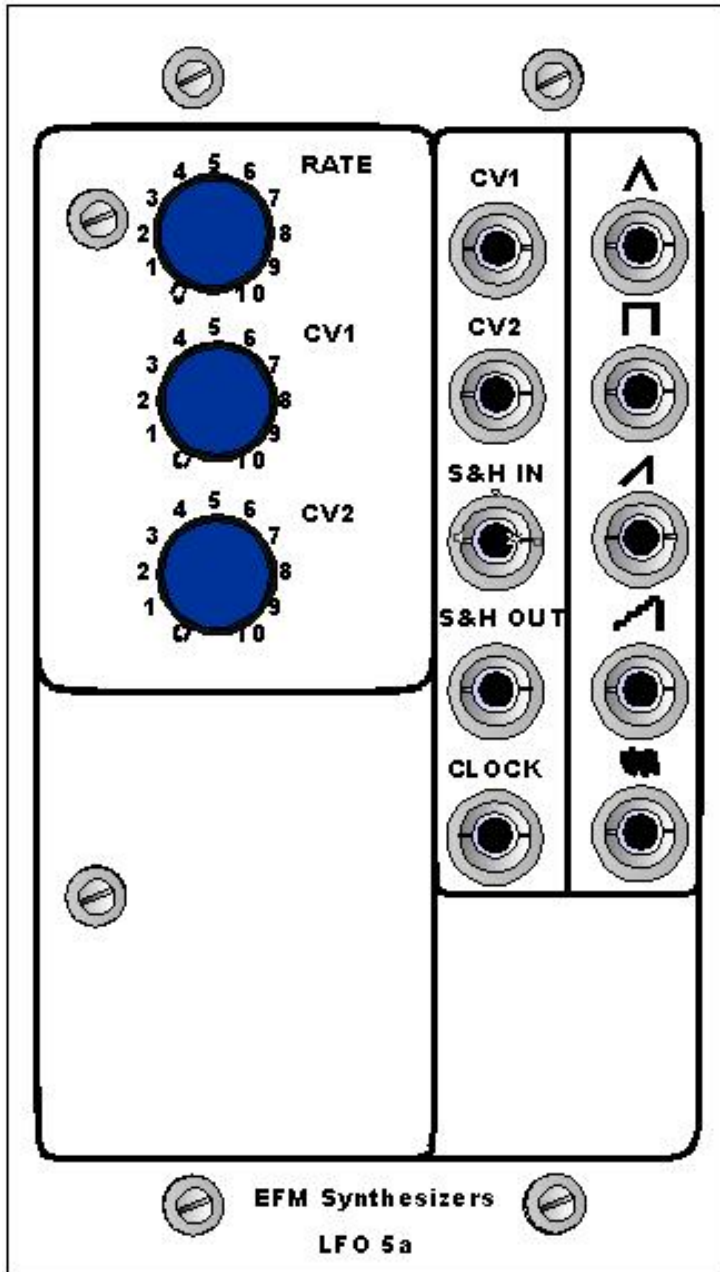


EFM Synthesizers

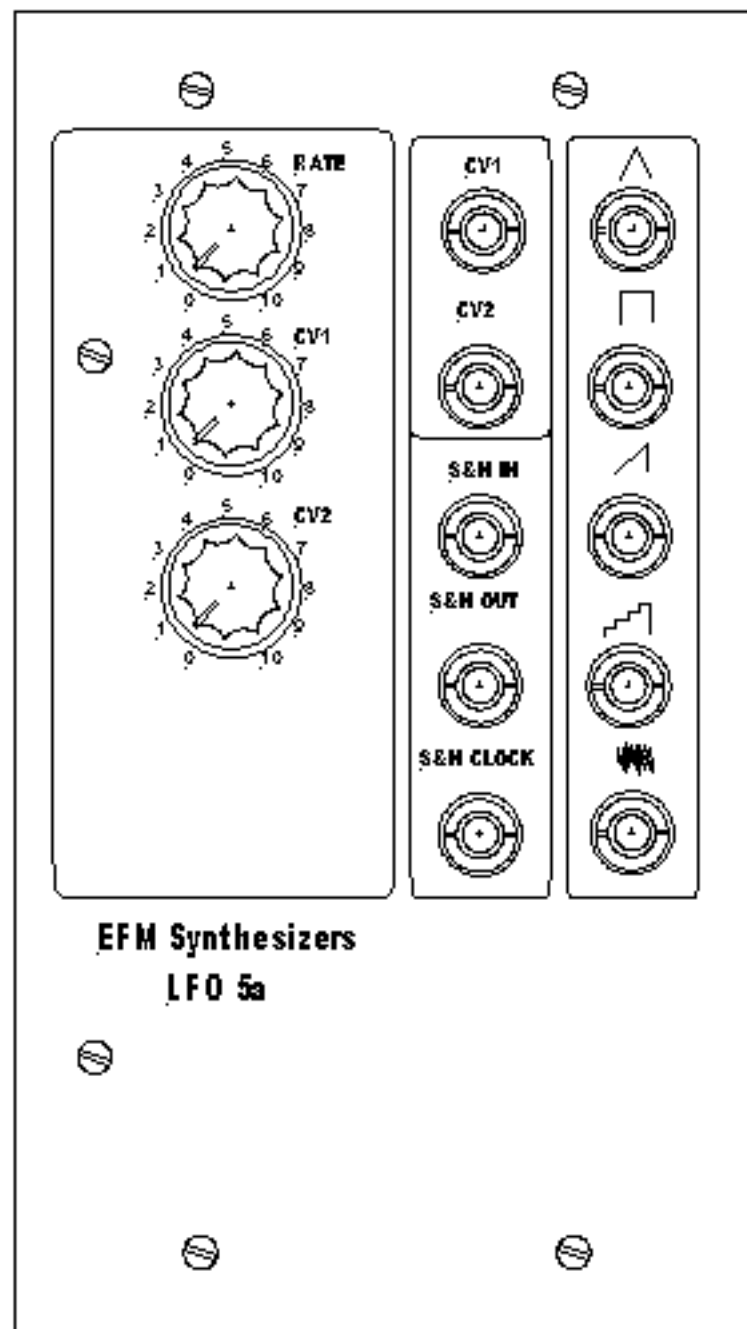
VC LFO 5A



Voltage Controlled Low Frequency Oscillator. Features...

- Noise and Staircase waveforms
- Simple Sample & Hold
- +/-12 or +/- 15V

LFO5A



PARTS LIST

CAPACITORS

C1,C2,C4	0.1	3
C3,C5,C9	.01	3
C6	10/16	1
C7,C8	.001	2

RESISTORS

R1,R2	220K	2
R3,R4,R14-R17	1M	6
R5,R11,R18,R19,R34,R35,R37-R39	100K	9
R6,R9,R21,R29-R31,R36	10K	7
R7,R8	390K	2
R10	33K	1
R12	330	1
R20,R22,R33	22K	3
R23	2.2K	1
R24	270	1
R25-R28,R32	20K	5

POTENTIOMETERS

P1	1M	1
----	----	---

TRIMMER

T1,T2	50K	2
-------	-----	---

DIODES

D1,D2	1N914	1
D3	4.7V ZENER	1

TRANSISTORS

Q1	2N3906	1
Q2,Q5	2N3904	2
Q3,Q4,Q6	2N3819	3

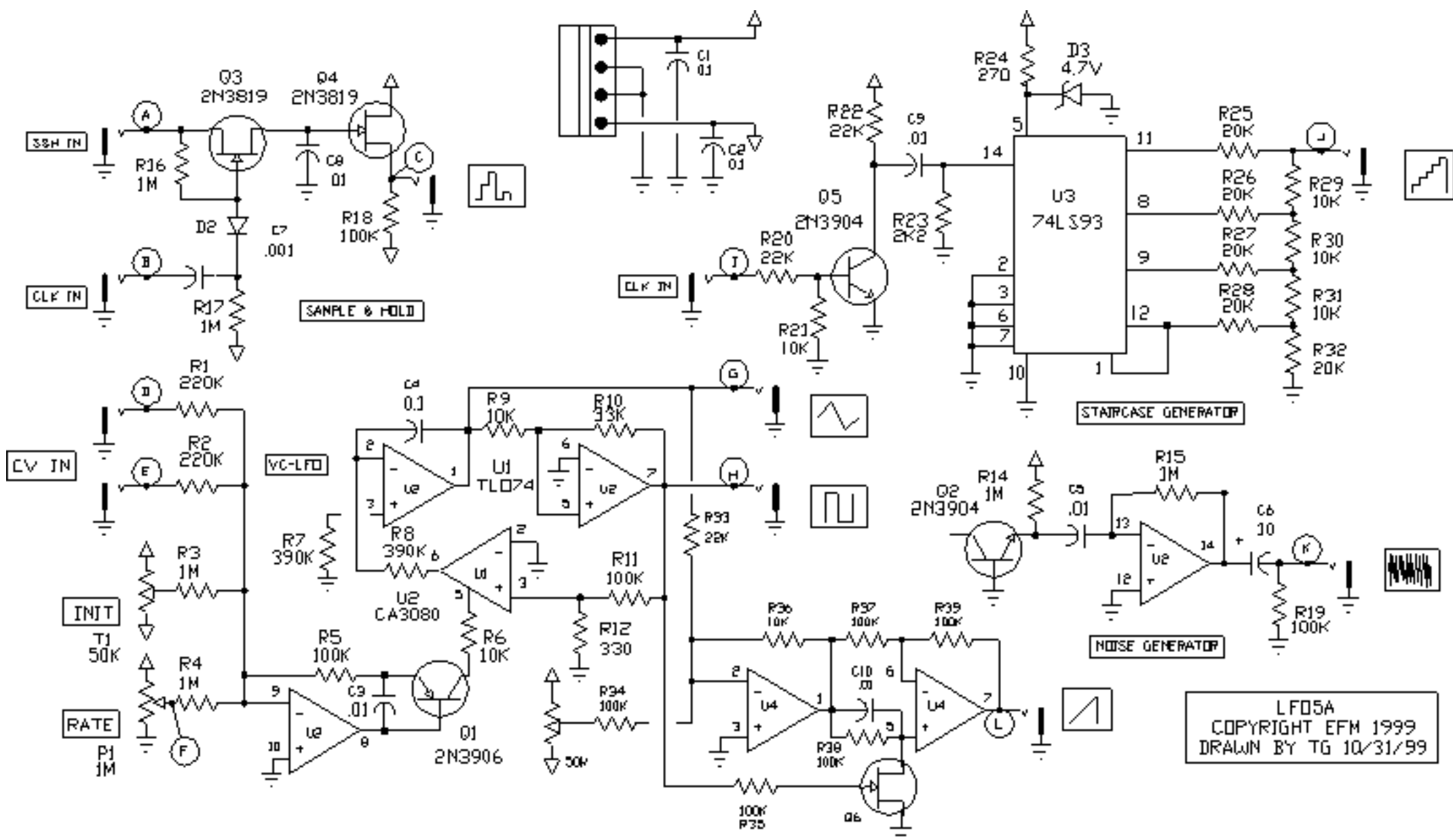
ICS

U1	CA3080	1
U2	TLO74	1
U3	74LS93	1
U4	TLO72	1

JACKS

1/4 PHONE		11
-----------	--	----

Schematic



Parts Placement

