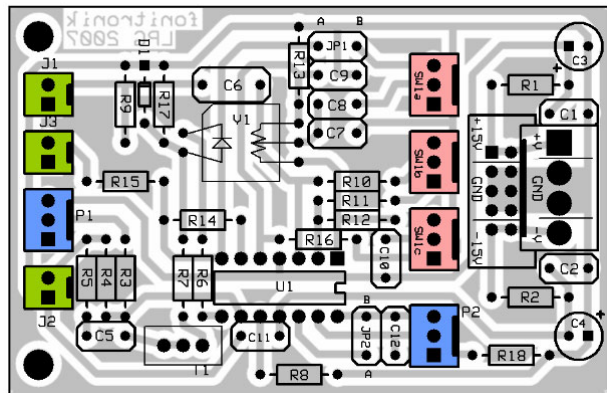
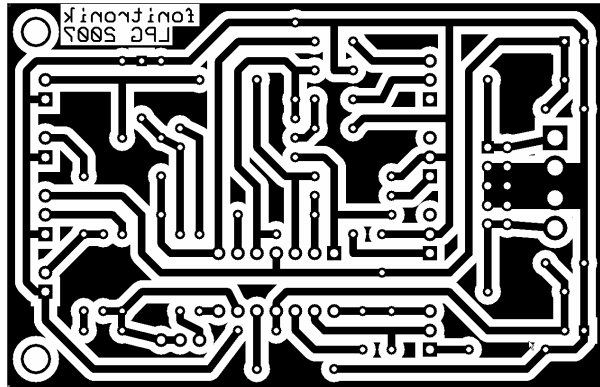


292c Low Pass Gate

C12	33pF
C7	220pF
C9	1nF
C5	2nF
C8	4.7nF
C10, C11	10nF
C1, C2	100nF
C6	1uF
C3, C4	10uF
D1	1N5228 (ZENER 3.9V)
J1	in
J2	cv in
J3	out
P1 (offset)	10k
P2 (res)	50k
R1, R2	22R
R6	470R
R15	1k
R8, R14, R16	10k
R11, R12	15k
R7	33k
R18	47k
R4, R9, R10,	
R17	100k
R3	150k
R5	470k
R13	4.7M
T1 (trimmer)	20k
SW1a/b/c	3pole on/off/on
U1	TL074
V1	VTL5C3/2

ready for press'n'peel blue

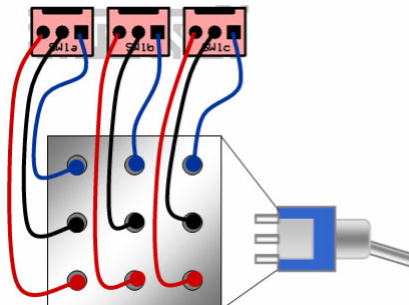
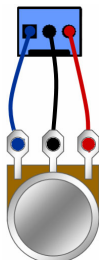
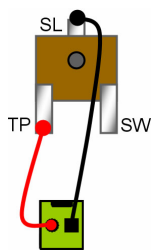


For a conventional build close jumper JP1, omit P2 and R18.

For implementing the resonance modification connect jumpers as follows:

JP1-A to JP2-A and JP1-B to JP2-B (use insulated wires).

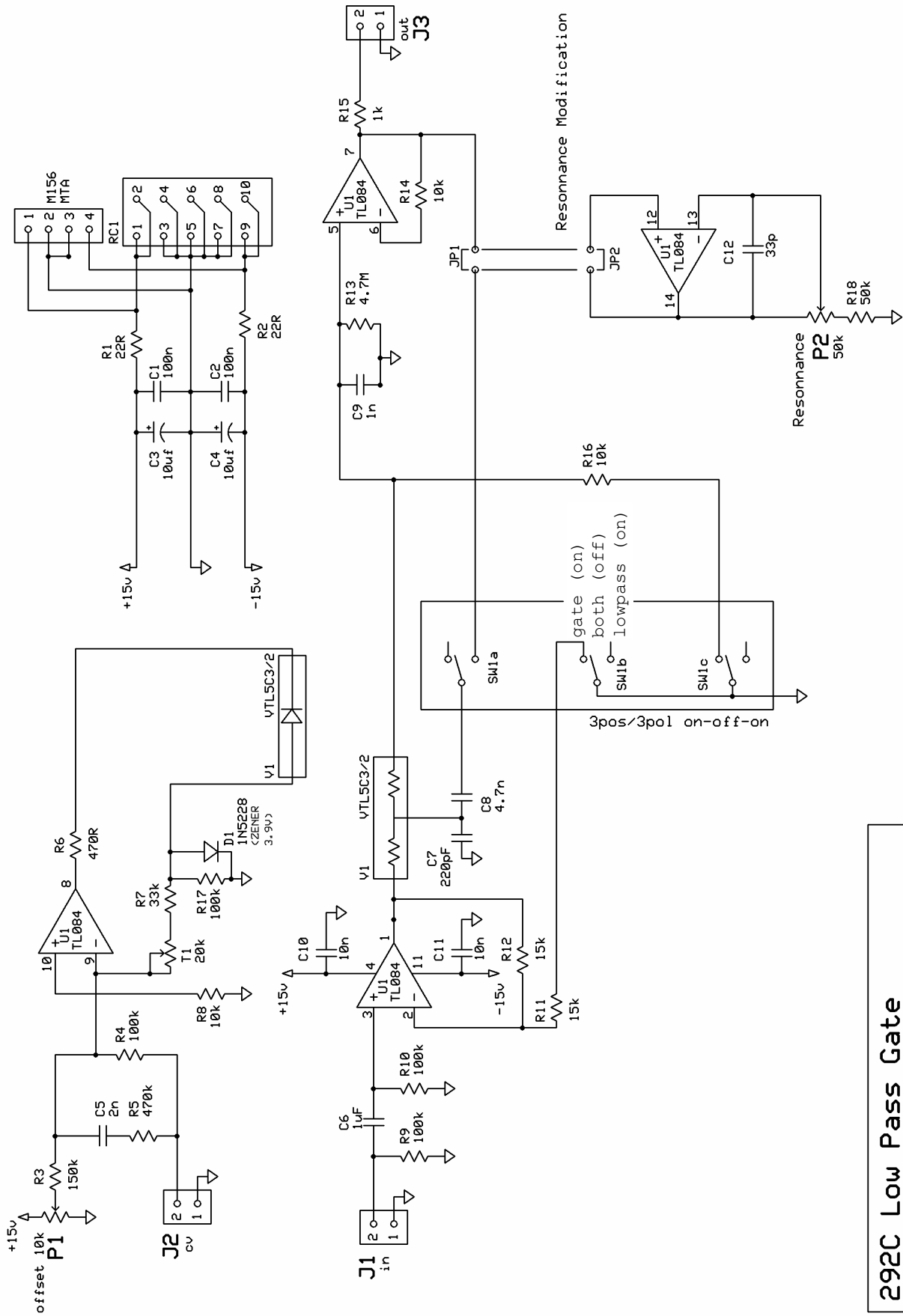
How to connect I/O



LoPass (on)

Both (off)

Gate (on)



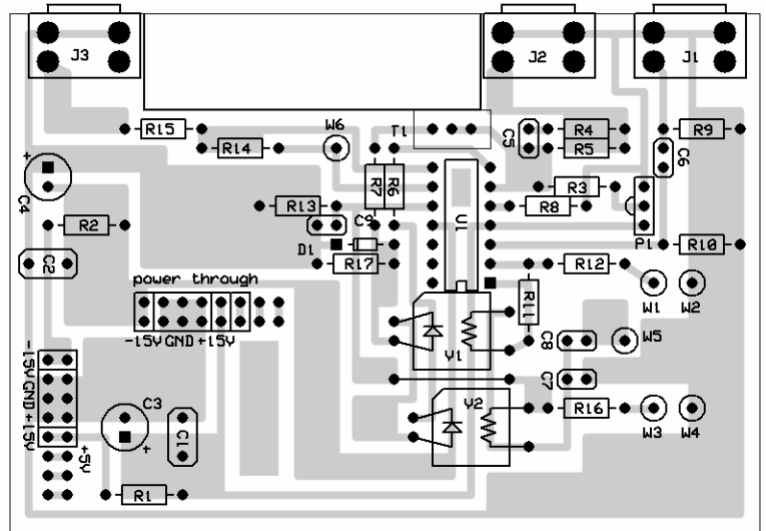
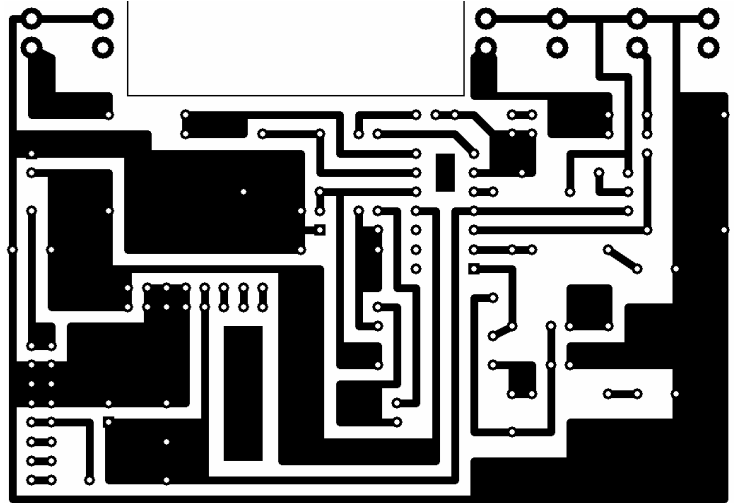
292C Low Pass Gate
 Peter Grenaders Adaption of the Buchla 292C
 (C)2007 Matthias Herrmann
 Rev 3.1 21 OCT 2008

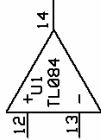
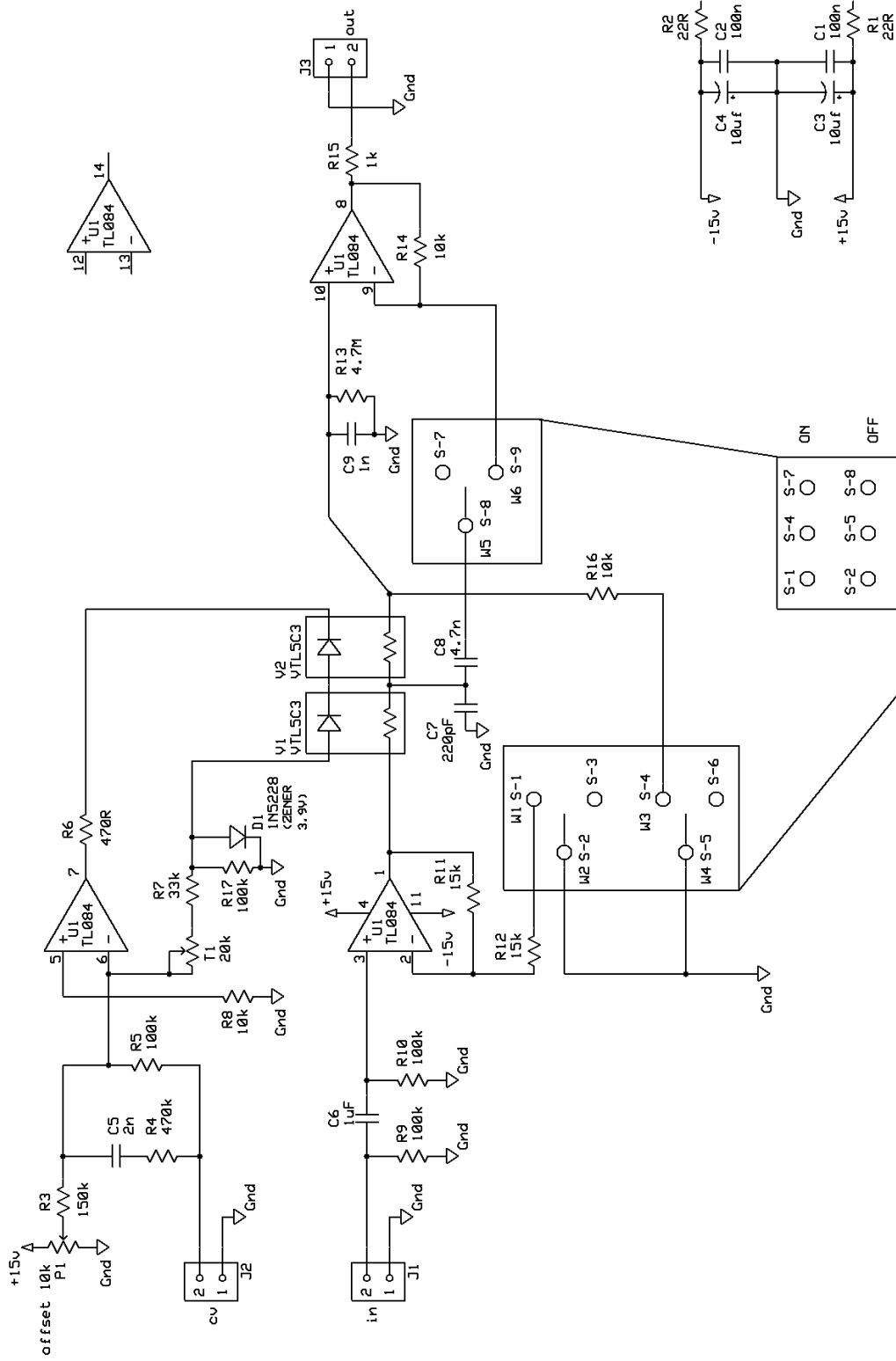
Low Pass Gate (buchlaesque)

(Peter Grenader)

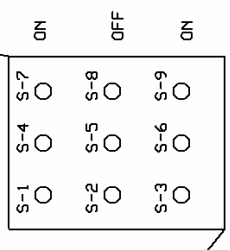
old documentation
(eurorack format using cliff sockets)

C1, C2	100n
C3, C4 (elkos)	10uf
C4	10uf
C5	2n
C6	1uF
C7	220pF
C8	4.7n
C9	1n
D1	Zener 3.9V (0.5W)
J1	in
J2	cv
J3	out
P1	offset 10k
R1, R2	22R
R3	150k
R4	470k
R5, R9, R10, R17	100k
R6	470R
R7	33k
R8, R14, R16	10k
R11, R12	15k
R13	4.7M
R15	1k
T1	20k
U1	TL084
V1, V2	VTL5C3
W1	S-1
W2	S-2
W3	S-4
W4	S-5
W5	S-8
W6	S-9





Low Pass Gate
 Rev 1.1
 Peter Grenader
 31.10.2006



DPDT On-Off-On switch